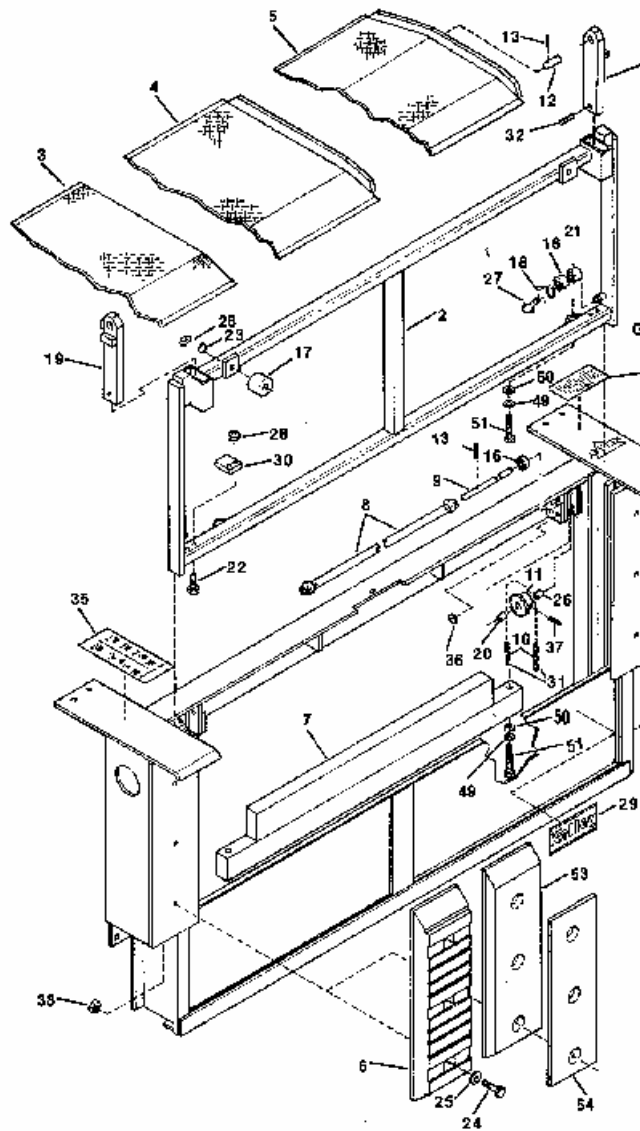


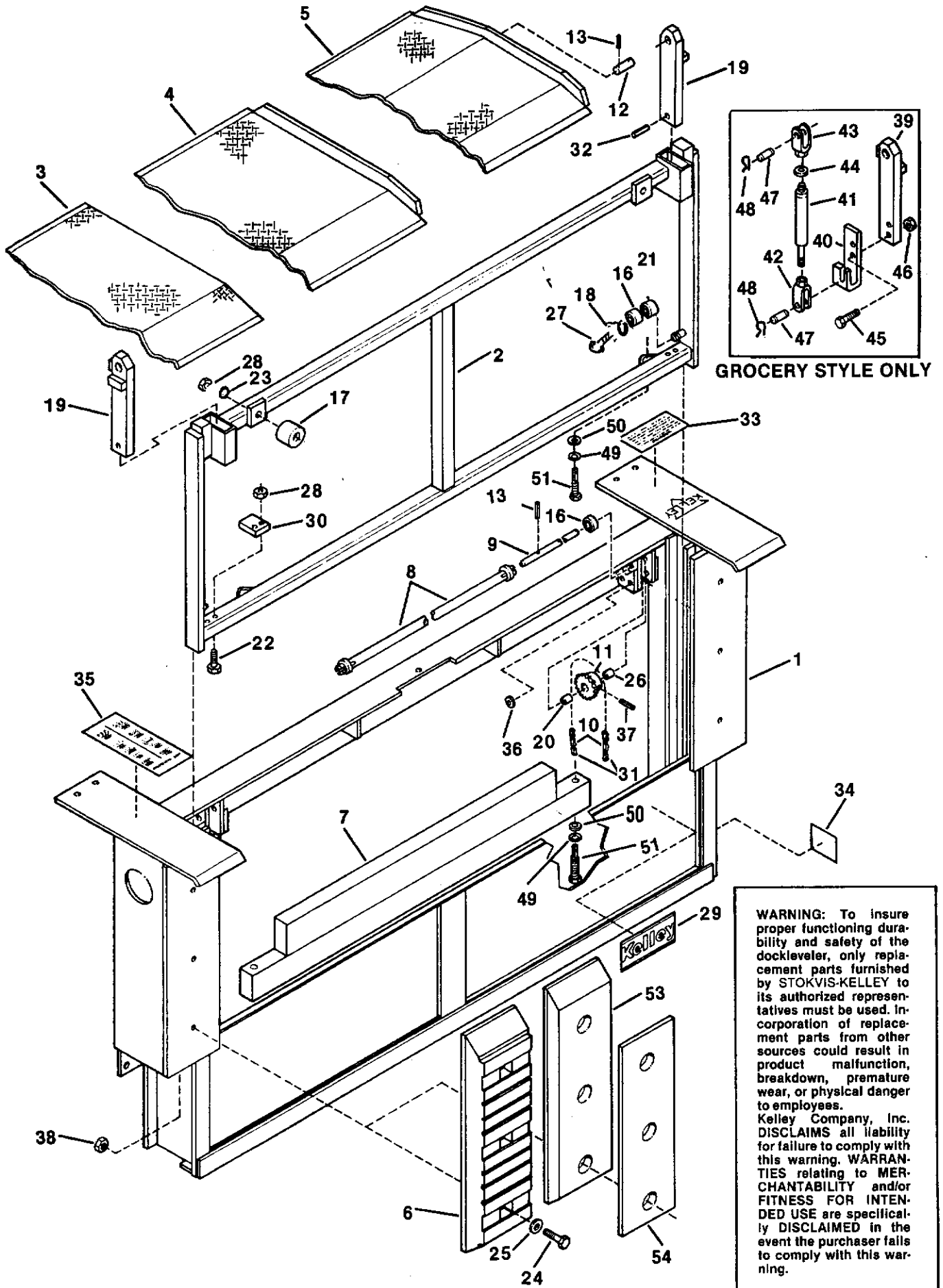


Dock Leveller Kwik Plate Models

Spare Parts List



KWIK PLATE ASSEMBLY HIGH PROFILE - LOW PROFILE - GROCERY



GROCERY STYLE ONLY

WARNING: To insure proper functioning durability and safety of the dockleveler, only replacement parts furnished by STOKVIS-KELLEY to its authorized representatives must be used. Incorporation of replacement parts from other sources could result in product malfunction, breakdown, premature wear, or physical danger to employees. Kelley Company, Inc. DISCLAIMS all liability for failure to comply with this warning. WARRANTIES relating to MERCHANTABILITY and/or FITNESS FOR INTENDED USE are specifically DISCLAIMED in the event the purchaser fails to comply with this warning.

ITEM	QTY.	DESCRIPTION	PART NO.
1	1	Frame (High & Low Profile)	03.012.000
	1	Frame (Grocery Style)	03.032.000
2	1	Ramp Subframe	03.011.000
3	1	Ramp (Grocery Style)	03.033.000
4	1	Ramp (Low Profile)	03.023.000
5	1	Ramp (High Profile)	03.113.000
6	2	Bumper - Standard	042-421
7	1	Counterweight (High & Low Profile)	03.010.050
	1	Counterweight (Grocery Style)	03.030.050
8	1	Synchronization Bar	03.010.018
9	2	Rod	03.010.019
10	2	Roller Chain (High & Low Profile)	03.010.016
	2	Roller Chain (Grocery Style)	03.030.016
11	2	Sprocket	03.010.013
12	2	Clevis Pin, galv. 20 x 84	03.010.017
13	6	Roll Pin, 5 x 36	65.077.141
14			
15			
16	6	Ball Bearing	03.010.011
17	2	Ramp Bumper	03.010.010
18	2	Washer	65.055.123
19	2	Tilt Bar (High & Low Profile)	03.010.075
	1	Tilt Bar Stop (Grocery Style)	03.030.075
20	2	Spacer	03.010.020
21	1	Spacer	03.010.012
22	4	Hex Head Bolt M10 x 65	65.002.414
23	2	Washer	65.055.019
24	6	Hex Head Bolt, M20 x 75	65.002.614
25	6	Washer, A21 - ID 21 mm	65.055.028
26	2	Spacer	03.010.021
27	2	Hex Head Bolt, M12 x 30	65.003.447
28	6	Lock Nut, M10	65.051.034
29	1	Kelley Logo	138-728
30	2	Stop Plate	03.010.021
31	4	Connecting Link	03.010.015
32	2	Roll Pin, 10 x 50	65.077.219
33	1	Warning Label	138-720
34	1	Serial Plate	140-505
35	1	Operating Label	138-750
36	4	Clip Ring	65.061.040
37	2	Roll Pin, 5 x 60	65.077.146
38	6	Nut, M20	65.050.905
39	1	Tilt Counterbalance Bar (Grocery Style)	03.030.100
40	1	Support Bracket (Grocery Style)	03.030.101
41	1	Gas Spring (Grocery Style)	030-238
42	1	Clevis (Grocery Style)	099-015
43	1	Clevis (Grocery Style)	099-016
44	2	Washer, (Grocery Style)	65.055.212
45	2	Hex Head Bolt, M12 x 45 (Grocery Style)	65.002.450
46	2	Lock Nut, M12(Grocery Style)	65.051.036
47	2	Clevis Pin (Grocery Style)	01.410.024
48	4	Cotter Pin (Grocery Style)	65.074.216
49	4	Spring - Belleville	03.010.014
50	4	Washer - Hardened	65.055.023
51	4	Shock Absorbing Mount M12 x 54 Special	03.010.023
52			
53	2	Bumper - Optional	700-086
54	2	Face Plate - Optional	700 - 087