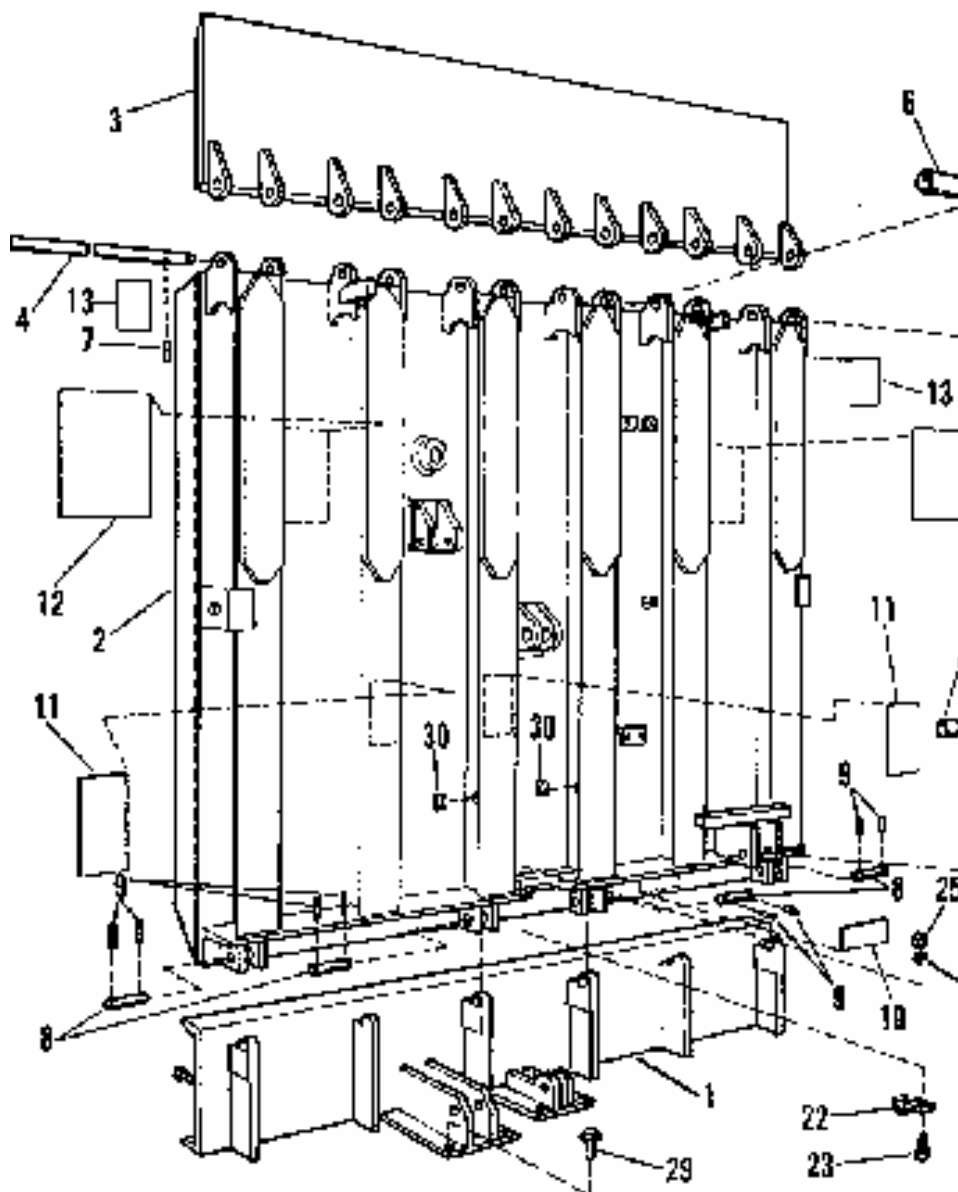


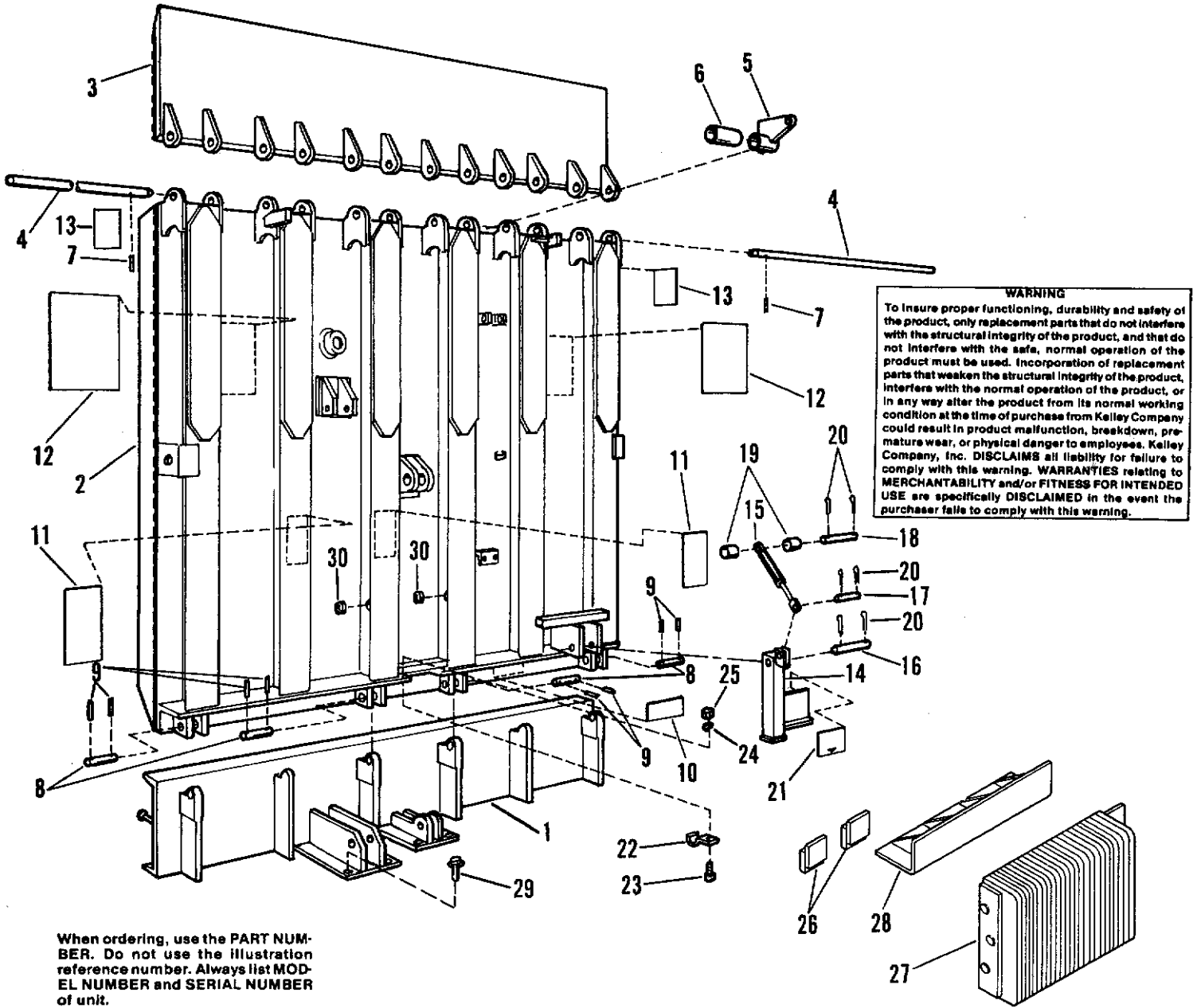


Dock Leveller HV Model

Spare Parts List



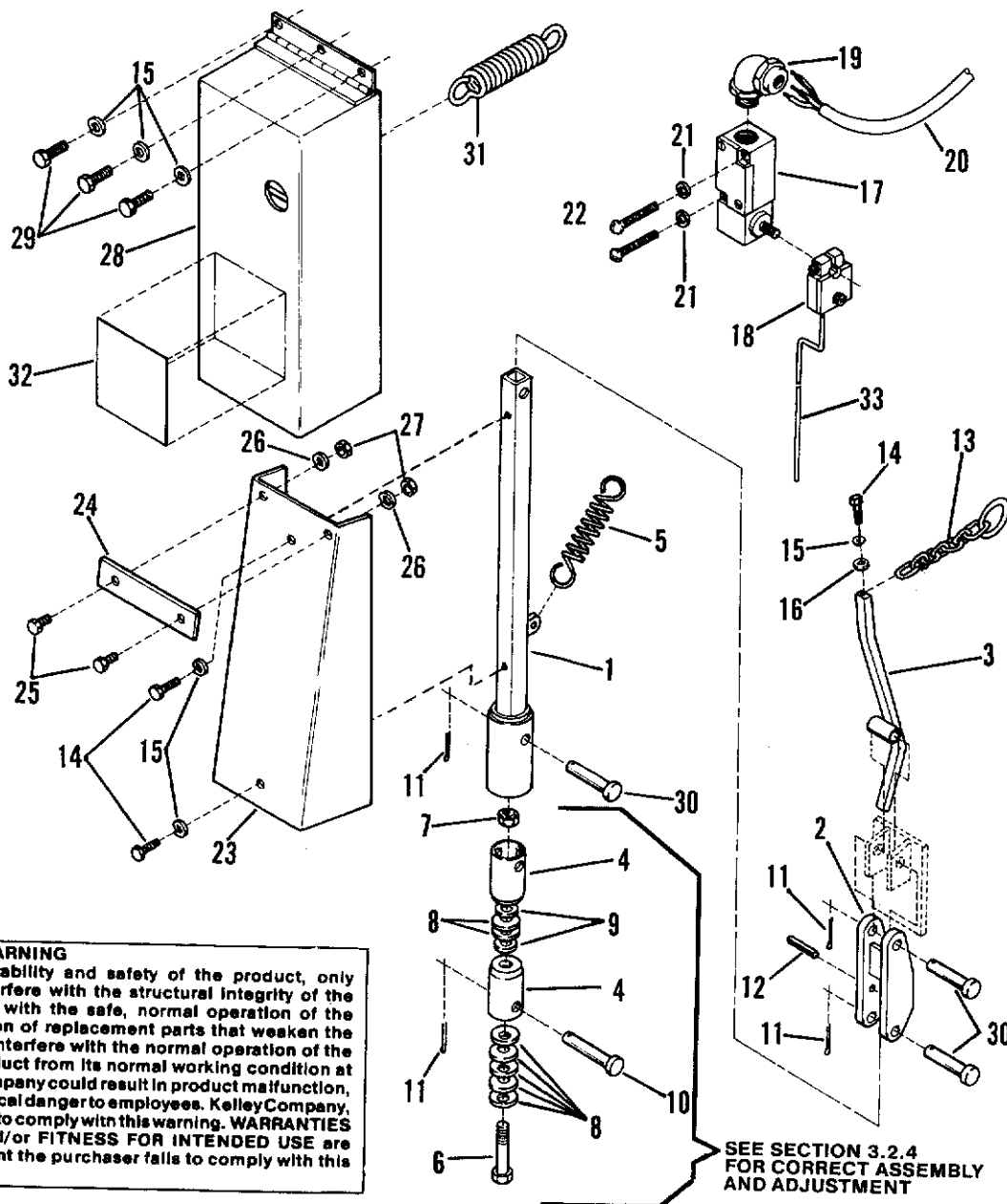
RAMP, LIP AND CURB CHANNEL ASSEMBLIES



When ordering, use the PART NUMBER. Do not use the illustration reference number. Always list MODEL NUMBER and SERIAL NUMBER of unit.

ITEM	QTY.	DESCRIPTION	PART NO.	ITEM	QTY.	DESCRIPTION	PART NO.
1	1	Curb Channel, 6' wide	706-752	13	2	Decal, Instructions	707-020
1	1	Curb Channel, 7' wide	707-017	14	1	Leg, Support	707-105
2	1	Ramp Assembly, 6' wide	706-741	15	1	Gas Spring	705-957
2	1	Ramp Assembly, 7' wide	707-019	16	1	Pin, 1/2" dia. x 2 15/16" lg.	035-419
3	1	Lip Assembly, 16" x 6'	705-589	17	1	Pin, 3/8" dia. x 1 3/16" lg.	035-421
3	1	Lip Assembly, 16" x 7'	707-014	18	1	Pin, 3/8" dia. x 2 15/16" lg.	035-420
3	1	Lip Assembly, 18" x 6'	705-800	19	2	Tube, 5/8" O.D. x 1/8" wall x 1 1/16" lg.	621-160
3	1	Lip Assembly, 18" x 7'	707-015	20	6	Cotter Pin, 1/8" x 1 1/4" lg.	035-036
3	1	Lip Assembly, 20" x 6'	706-758	21	1	Decal	707-112
3	1	Lip Assembly, 20" x 7'	707-016	22	2	Clamp, Hose Support	031-081
4	2	Lip Shaft, 6' wide	037-229	23	2	Bolt, Hex Head, 1/4"-20 x 7/8" lg.	000-801
4	2	Lip Shaft, 7' wide	037-230	24	2	Washer, 1/4" I.D. x 3/16" O.D. x 3/64"	000-306
5	1	Lip Lifter	700-089	25	2	Nut, Hex, 1/4"-20	000-166
6	1	Pipe	150-207	26	2	Lip Support	021-041
7	2	Roll Pin, 5/16" x 2" lg.	035-059	27	2	Bumper	042-371
8	4	Hinge Pin	150-633	28	2	Bumper Bracket	705-186
9	8	Spirol Pin, 7/32" x 1 1/8" lg.	708-054	29	4	Anchor Bolt, 1/2" x 3 3/4" lg.	131-260
10	1	Serial Plate	140-505	30	2	Grommet	707-662
11	2	Decal	138-716				
12	2	Decal, Danger	138-717				

STORAGE ARM AND GUARD ASSEMBLIES



When ordering, use the PART NUMBER. Do not use the illustration reference number. Always list MODEL NUMBER and SERIAL NUMBER of unit.

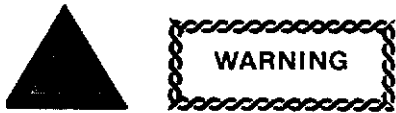
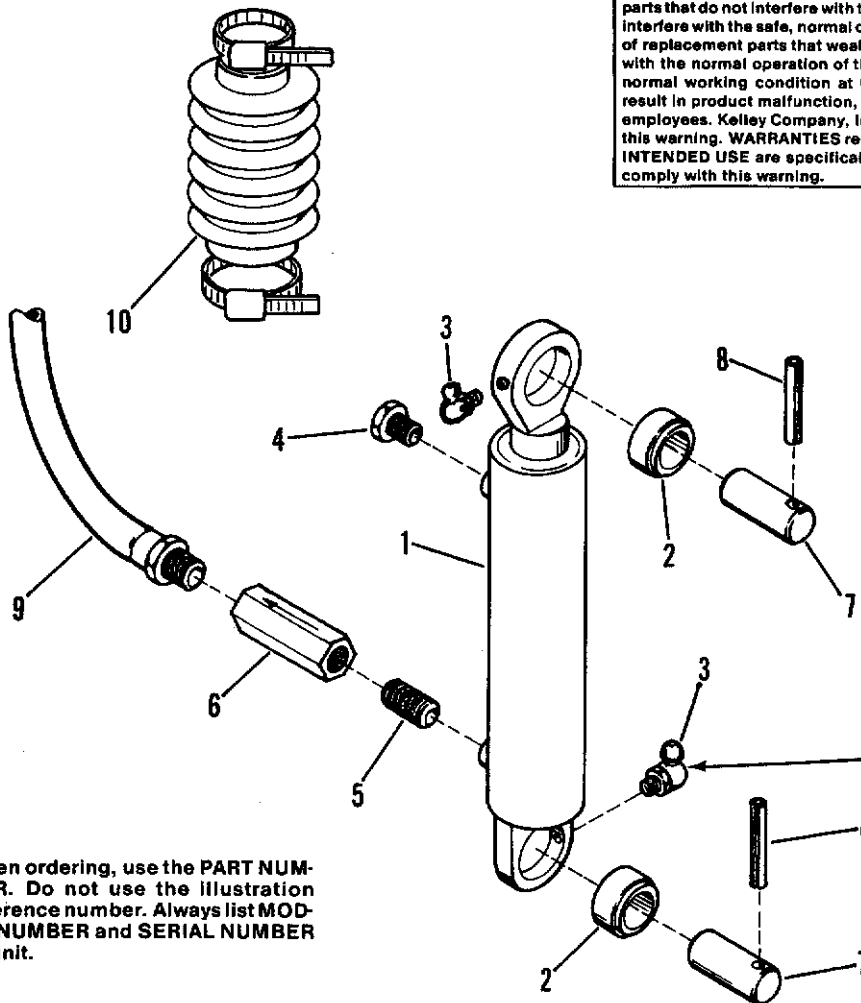
WARNING
To insure proper functioning, durability and safety of the product, only replacement parts that do not interfere with the structural integrity of the product, and that do not interfere with the safe, normal operation of the product must be used. Incorporation of replacement parts that weaken the structural integrity of the product, interfere with the normal operation of the product, or in any way alter the product from its normal working condition at the time of purchase from Kelley Company could result in product malfunction, breakdown, premature wear, or physical danger to employees. Kelley Company, Inc. DISCLAIMS all liability for failure to comply with this warning. WARRANTIES relating to MERCHANTABILITY and/or FITNESS FOR INTENDED USE are specifically DISCLAIMED in the event the purchaser fails to comply with this warning.

SEE SECTION 3.2.4 FOR CORRECT ASSEMBLY AND ADJUSTMENT

ITEM	QTY.	DESCRIPTION	PART NO.	ITEM	QTY.	DESCRIPTION	PART NO.
1	1	Lower Arm Weldment	707-948	18	1	Lever Arm w/Stainless	707-660
2	1	Upper Arm Weldment	707-953	19	1	Cord Grip, 90°, 1/2" NPT, .475 dia.	145-082
3	1	Trip Arm Weldment	707-952	20	1	Cable, #16-3 x 54" lg.	182-001
4	2	Tube Weldment	707-621	21	2	Washer, Lock, #10	000-500
5	1	Spring, Extension	707-954	22	2	Capscrew, Round Head, #10-24 x 1 1/4" lg.	131-257
6	1	Capscrew, Hex Head, 3/16"-10 x 3 1/2" lg.	000-401	23	1	Guard, Lower	152-174
7	1	Nut, Hex, 3/4"-10, Locking Type	000-317	24	1	Wear Pad, Large	705-354
8	7	Spring Disc, 3/4" x 1 3/4" O.D.	707-661	25	2	Capscrew, Flat Head, Hex Socket, #8-32	000-995
9	2	Washer, Flat, 3/8"	000-060	26	2	Lockwasher, #8	000-239
10	1	Pin, Clevis, 5/8" dia. x 3 1/2" lg.	000-521	27	2	Nut, Hex, #8-32	000-117
11	3	Pin, Cotter, 1/8" x 1 1/4" lg.	035-036	28	1	Guard, Upper	707-950
12	1	Pin, Roll, 7/32" dia. x 1 3/4" lg.	035-098	29	3	Capscrew, Hex Head, 5/16"-18 x 1/2" lg.	000-804
13	1	Release Chain Assembly	707-665	30	3	Pin, Clevis, 5/8" dia. x 3/4" lg.	035-422
14	3	Capscrew, Hex Head, 5/16"-18 x 5/8" lg.	000-800	31	1	Spring, Extension	707-955
15	6	Washer, Lock, 5/16"	000-501	32	1	Decal, "Danger"	138-715
16	1	Washer, Flat, 5/16"	000-214	33	1	Rod, Stainless Steel	152-168
17	1	Limit Switch	707-946				

MAIN LIFTING CYLINDER ASSEMBLY

WARNING
 To insure proper functioning, durability and safety of the product, only replacement parts that do not interfere with the structural integrity of the product, and that do not interfere with the safe, normal operation of the product must be used. Incorporation of replacement parts that weaken the structural integrity of the product, interfere with the normal operation of the product, or in any way alter the product from its normal working condition at the time of purchase from Kelley Company could result in product malfunction, breakdown, premature wear, or physical danger to employees. Kelley Company, Inc. DISCLAIMS all liability for failure to comply with this warning. WARRANTIES relating to MERCHANTABILITY and/or FITNESS FOR INTENDED USE are specifically DISCLAIMED in the event the purchaser fails to comply with this warning.



WARNING
 When replacing the flow control valve, item 6, arrow on valve must face away from the lifting cylinder. Improper installation will allow ramp to free-fall which could cause severe injury to people or damage to the dockleveler.

NOTE: GREASE FITTING TO BE INSTALLED FACING UPWARD TO PERMIT ACCESS WITH GREASE GUN.

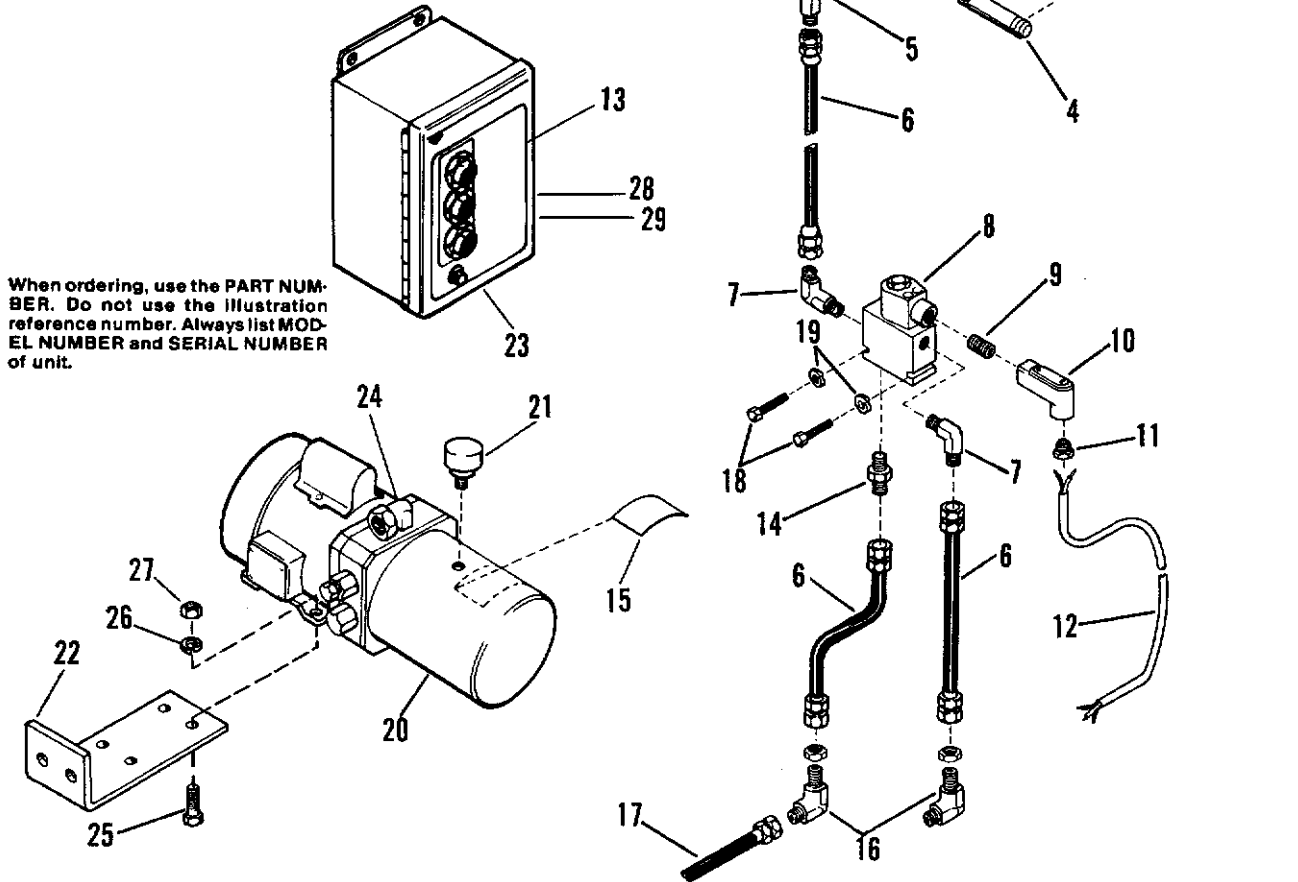
When ordering, use the PART NUMBER. Do not use the illustration reference number. Always list MODEL NUMBER and SERIAL NUMBER of unit.

ITEM	QTY.	DESCRIPTION	PART NO.
1	1	Cylinder, Lifting	707-971
2	2	Bearing	707-973
3	2	Grease Fitting, 90°, ¼"-28	127-007
4	1	Breather, ¼" NPT	210-001
5	1	Nipple, Close, ¼" NPT	204-001
6	1	Flow Control Valve	031-079
7	2	Pin, Cylinder	152-209
8	2	Pin, Roll, ¼" x 2" lg.	035-099
9	1	Hydraulic Hose Assembly	706-747
10	1	Boot, Cylinder (includes clamps) (optional)	707-623

PUMP/MOTOR, SOLENOID AND LIP CYLINDER ASSEMBLIES

WARNING

To insure proper functioning, durability and safety of the product, only replacement parts that do not interfere with the structural integrity of the product, and that do not interfere with the safe, normal operation of the product must be used. Incorporation of replacement parts that weaken the structural integrity of the product, interfere with the normal operation of the product, or in any way alter the product from its normal working condition at the time of purchase from Kelley Company could result in product malfunction, breakdown, premature wear, or physical danger to employees. Kelley Company, Inc. DISCLAIMS all liability for failure to comply with this warning. WARRANTIES relating to MERCHANTABILITY and/or FITNESS FOR INTENDED USE are specifically DISCLAIMED in the event the purchaser fails to comply with this warning.



When ordering, use the PART NUMBER. Do not use the illustration reference number. Always list MODEL NUMBER and SERIAL NUMBER of unit.

ITEM	QTY.	DESCRIPTION	PART NO.	ITEM	QTY.	DESCRIPTION	PART NO.
1	1	Lip Cylinder	700-051	20	1	Pump/Motor Assembly, 1 H.P., 208/230V 3 ϕ (includes items 15 & 24)	906-700
2	1	Pin, Lip Cylinder, Upper	700-049	21	1	Breather	210-004
3	4	Clip Ring	049-060	22	1	Bracket, Pump/Motor	151-208
4	1	Pin, Lip Cylinder, Lower	700-050	23	1	Control Box, 460V 3 Phase	906-699
5	1	Elbow	206-068	23	1	Control Box, 230V 3 Phase	906-698
6	3	Hose Assembly	707-137	23	1	Control Box, 208V 3 Phase	906-697
7	2	Elbow	206-066	23	1	Control Box, 115V 1 Phase	706-742
8	1	Solenoid Valve	706-735	24	1	Adapter, 90 $^{\circ}$ Union	146-032
9	1	Nipple, 1/2" Pipe	204-003	25	4	Bolt, 5/16"-18 x 1 1/4" lg.	000-382
10	1	Condulet	061-208	26	4	Lockwasher, 5/16"	000-501
11	1	Cord Grip	705-315	27	4	Nut, Hex, 5/16"-18	000-303
12	1	Cord, 15 ft.	151-015	28	1	Label, Wiring Diagram, 3 ϕ 460V	707-150
13	1	Decal, Operation	707-021	28	1	Label, Wiring Diagram, 3 ϕ 208/230V	707-151
14	1	Male Connector	206-054	28	1	Label, Wiring Diagram, 1 ϕ 115V	151-373
15	1	Decal	138-751	29	1	Label, Caution	138-607
16	2	Bulkhead, 90 $^{\circ}$	031-004	30	1	Boot, Cylinder (optional) (includes clamps)	707-510
17	1	Hose Assembly, Bulkhead to Pump/Motor	707-681				
18	2	Bolt, Hex Hd., 1/4"-20 x 2" lg.	000-369				
19	2	Lockwasher, 1/4"	000-502				
20	1	Pump/Motor Assembly, 1 H.P., 460V 3 ϕ (includes items 15 & 24)	906-701				