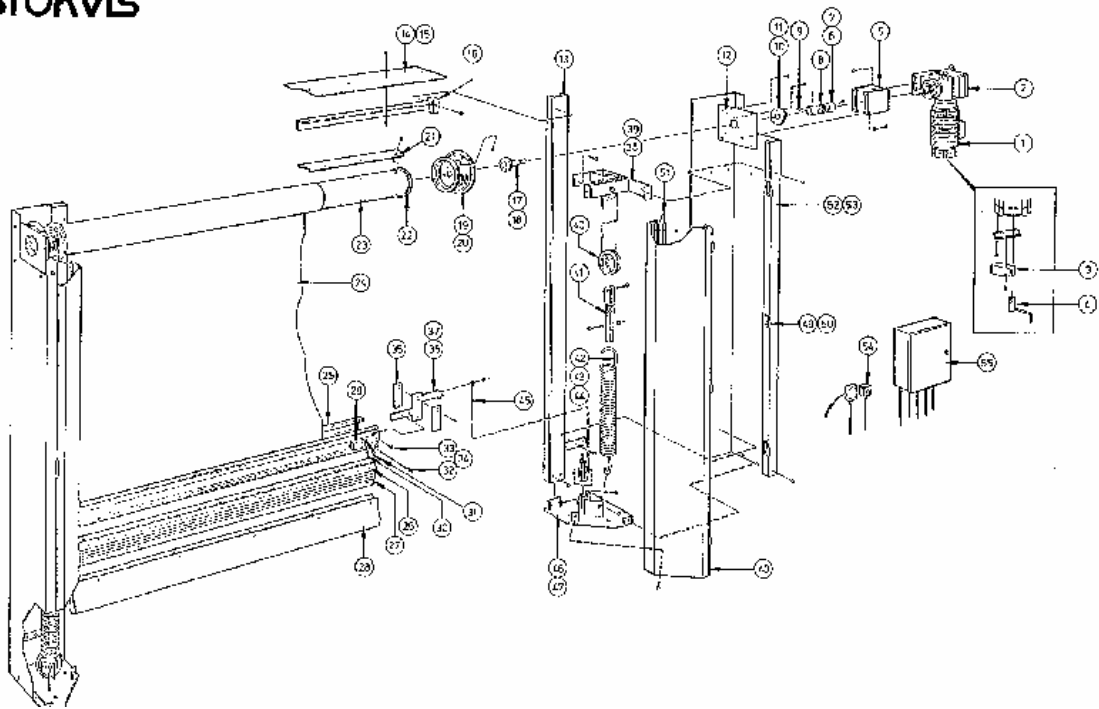




Rapid Roll 440

Spare Parts List

STOKVIS



MOTOR DRIVE UNITS

To establish the unit fitted to your particular door, please see the serial number plate affixed to both the motor and gearbox.

There are many variations of motor drive units that could be operating your door. The following pages cover all of these and therefore it is essential that particular care is taken in establishing the unit fitted in every case.

To help you, the existing model is fitted with Serial Number plates will define your needs.

GEARBOX

For example the gearbox No. could be:-
VRFC 8 XMJ - 102

The first number denotes the series of the gearbox and the second its revolutions per minute. If you now check the drawings you can define what internal parts you require against their identification numbers. Please note that modifications have been made to some internal components mainly with regard to the shaft design which no longer has a keyed end but is now splined.

If your unit is of the older type please turn to the next page which will give you the additional parts you require to upgrade your gearbox.

MOTOR

To establish the relevant motor drive unit, again check your serial number plate. If you already know the RPM of the gearbox and its series then simply look at the RPM list shown at the bottom left hand side of the motor drawings marked Ovitor to match against your unit. If not the part number of the motor you require will be the last three digits on the serial number plate eg. 744, 752, 751 etc.

When ordering please prefix their numbers with RRS 250.

Upgrades have been made on the motor units which are listed on the next page.

PLEASE NOTE

When ordering any motor or gearbox components please prefix all items with the following: RRS 250

SUPERSEDED GEARBOX DESIGNS

If your shaft design was of the keyed end design then please order the following components together with your new splined shaft.

SERIES 5 = Shaft & clutch plate	RRS 250083-1
SERIES 8 = Shaft & clutch plate	RRS 250083-1
Bar	RRS 250247-1

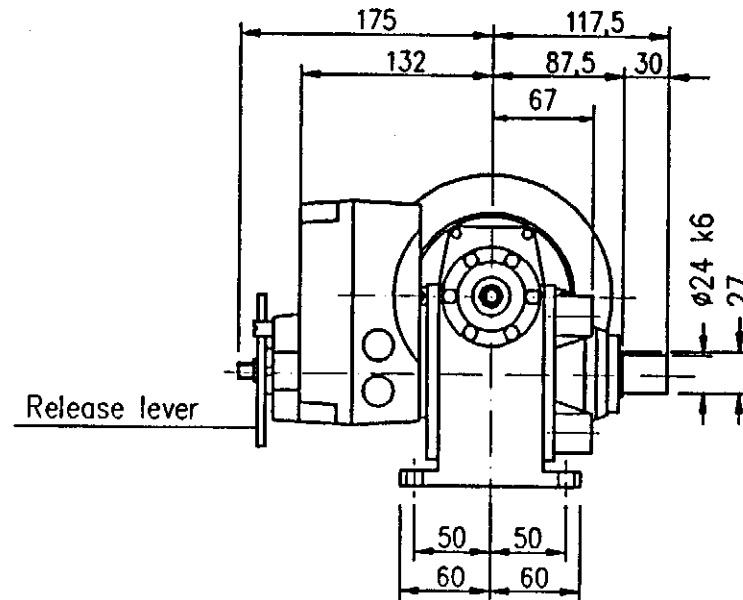
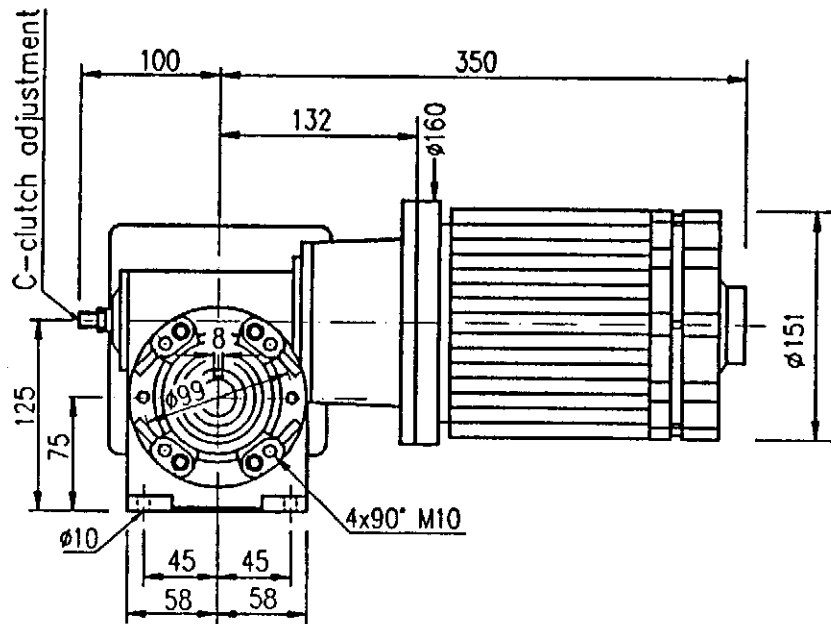
SUPERSEDED MOTOR DESIGN

Some motors have been superseded which can easily be recognised by the positioning of the cooling fins. The old style had its fins travelling around the circumference of the motor body, whereas on all upgraded models the fins run parallel along the length of the body.

An upgrade pack is required which is listed below. However, when ordering please ask your parts assistant to check stock for your particular model. It is possible that while the change over modifications are taking place that both units could be in stock.

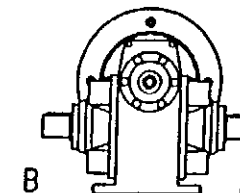
TEMEC VLRFC 5 Z7MJ

OVITOR 6153/744



Gear V			3~380 V Brakemotor MJ744				
RPM	Trans- mission ratio i	Torque Nm	Effect kW	RPM	Current A	S3 %	Thermal relay setting A
96	29:2	40	0,55	1500	2,3	25	≤2,3
72	36:2	45					
45	29:1	62					
29	45:1	75					

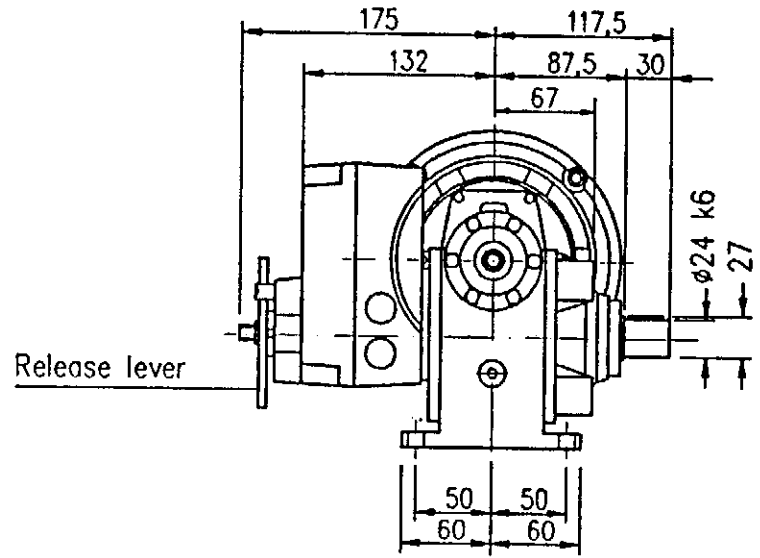
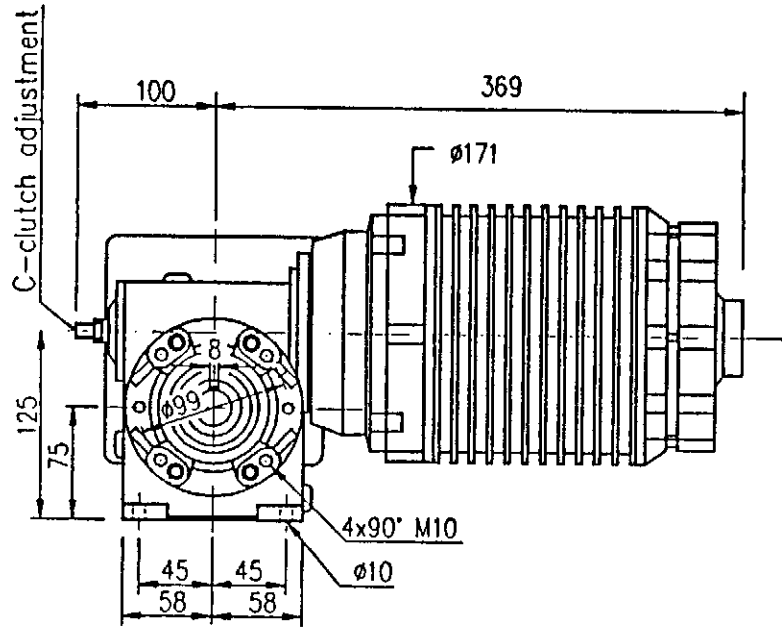
Mounting:



Motor: Position:
horizontal 1
up 3
down 5

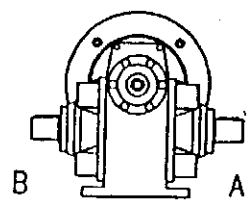
TEMEC VLRFC 5 XMDJ

OVITOR 6155/752

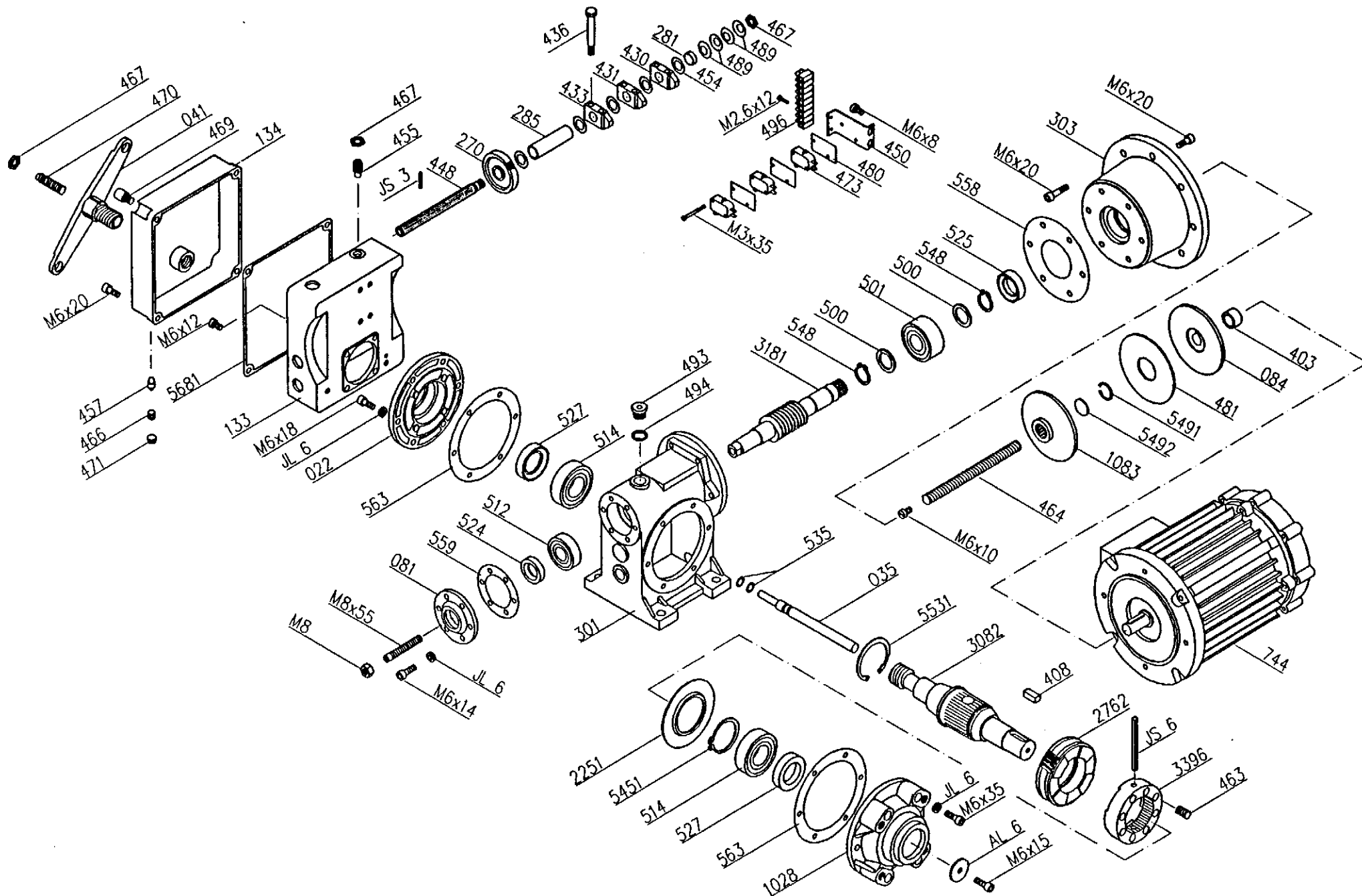


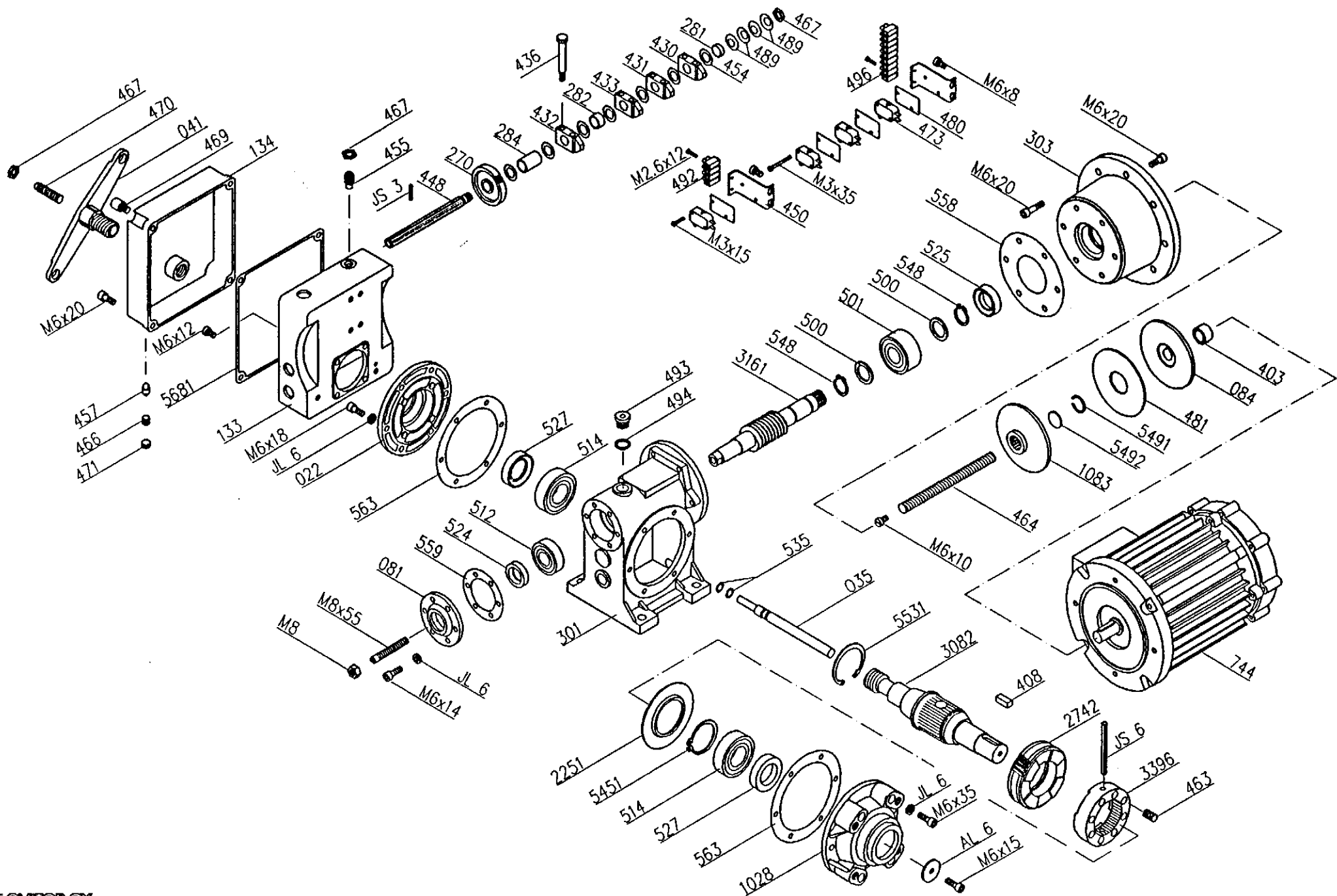
Gear V			3~380 V Brakemotor MDJ752				
RPM	Trans- mission ratio i	Torque Nm	Effect kW	RPM	Current A	S3 %	Thermal relay setting A
93/189	29:2	50/32	0,7/0,9	1500/3000	2,6/2,7	25	≤2,6/2,7
76/156	36:2	58/37					
45/95	29:1	79/50					
30/61	45:1	96/61					

Mounting:



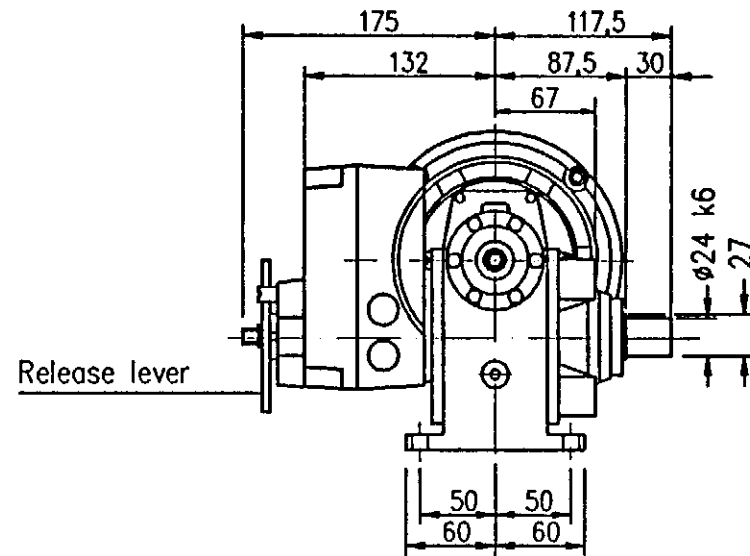
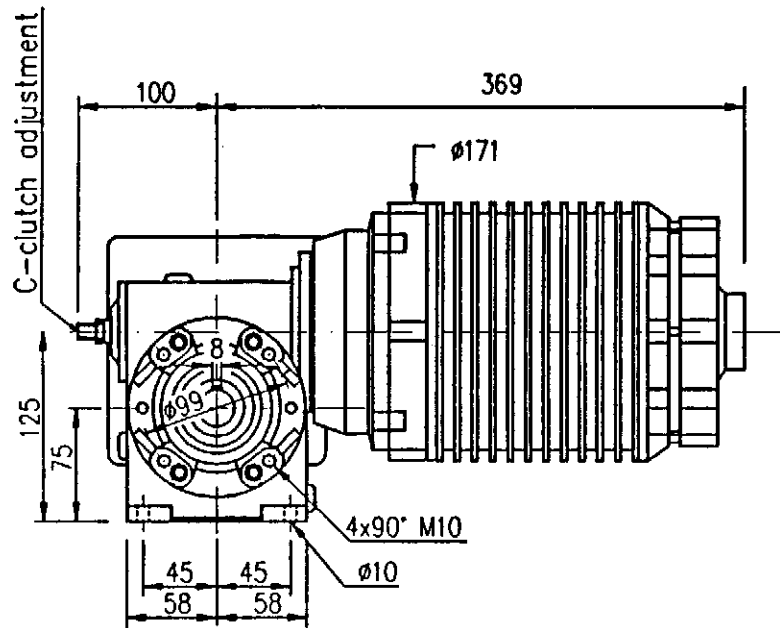
Motor: Position:
 horizontal 1
 up 3
 down 5





TEMEC VLRFC 5 XMDJ

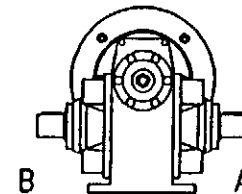
OVITOR 6155/752



Gear V			3~380 V Brakemotor MDJ752				
RPM	Trans- mission ratio i	Torque Nm	Effect kW	RPM	Current A	S3 %	Thermal relay setting A
93/189	29:2	50/32	0,7/0,9	1500/3000	2,6/2,7	25	≤2,6/2,7
76/156	36:2	58/37					
45/95	29:1	79/50					
30/61	45:1	96/61					

Mounting:

Motor: Position:
horizontal 1
up 3
down 5

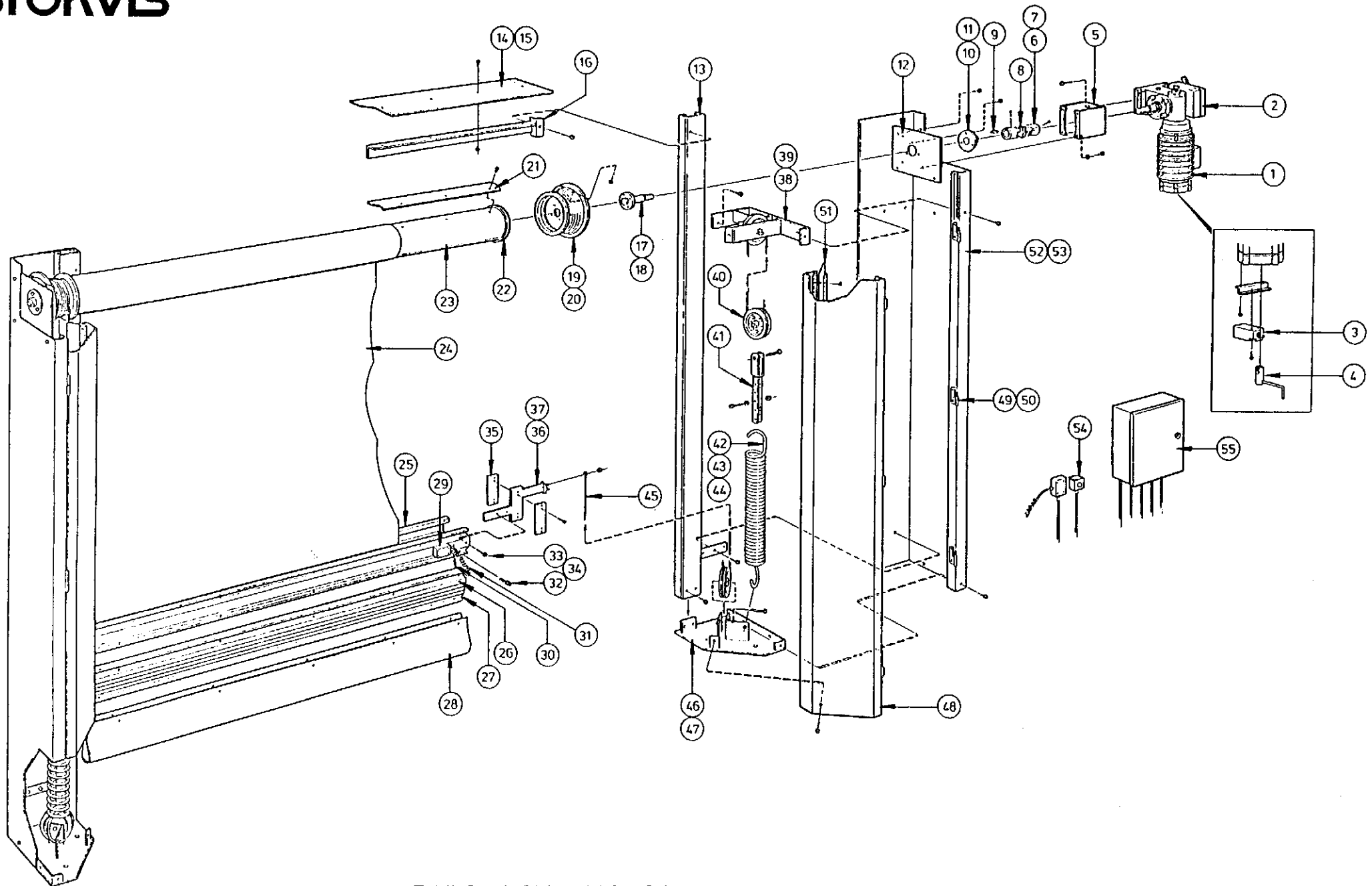


RAPID ROLL 440 PARTS LIST

ITEM	QTY	DESCRIPTION	PART NUMBER
1	1	Motor	Refer to drawings
2	1	Gearbox	Refer to drawings
3	1	Micro-switch	RRS 009014
4	1	Motor winding handle	RRS 100124
5	1	Motor bracket	RRS 874813
6	1	Coupling compl'te 24mm & 24mm	RRS 793670
7	1	Coupling compl'te 28mm & 24mm	
8	1	Coupling insert only	RRS 893671
9	1	Key	RRS 793668
10	2	Locking collar with bearing (Dia 25)	RRS 794710
11	2	Locking collar with bearing (Dia 30)	RRS 794711
12	1	Mounting plate	RRS 404706
13	2	Support channel 6500 long	RRS 664221
14	1	Roll seal	RRS 844401
15	1	Lintel seal	RRS 964401
16	1	Distance bar (special order)	RRS 655215
17	1	Stub axle - long (motor side)	RRS 853612
18	1	Stub axle - short (opposite side)	RRS 663602
19	1	Cable drum conical RH	RRS 863474
20	1	Cable drum conical LH	RRS 863475
21	1	Blade clamp (special order state length required)	RRS 783500
22	2	Barrel end boss	RRS 853661
23	1	Barrel (special order)	
24	1	Blade (special order)	
25	2	Beam half 5500 long 108mm high	RRS 851110
26	1	Safety edge rubber	RRS 801210
27	2	End bungs	RRS 801310
28	1	Yellow fabric	RRS 821411
29	1	Pneumatic switch	RRS 796000
30	1	Pipe	RRS 831308
31	1	Coily cable	RRS 796110
32		Socket cap screw M5 x 16	RRS 100221
33		Socket cap screw M5 x 45	RRS 100223
34		Hex nuts M5	RRS 100222
35	4	Wear pad and screws	RRS 781505
36	2	Guide plate RH	RRS 661516
37	2	Guide plate LH	RRS 661517
38	1	Pulley bracket RH	RRS 404620
39	1	Pulley bracket LH	RRS 404621
40	6	Pulley	RRS 822210
41	2	Spring tensioner	RRS 802410
42	2	Spring 600 long	RRS 100130
43	2	Spring 950 long	RRS 792500
44	2	Spring 1300 long	RRS 792510
45	2	Cable 26 metres	RRS 791900
46	1	Base plate RH	RRS 404500
47	1	Base plate LH	RRS 404501
48	2	Door 3500 long	RRS 404140

RAPID ROLL 440 PARTS LIST

49	6	Hinge set RH	RRS 794104
50	6	Hinge set LH	RRS 794105
51	1	Door seal	RRS 794110
52	1	Door casing RH	RRS 404202
53	1	Door casing RH	RRS 404202
54	1	Push button - 1 station	ACS 001026
55	1	Control box (special order)	



RAPID ROLL DOORS ALL MODELS

RADIO ACTIVATION

All styles have an identification sheet at the rear of this section.

STYLE (1) D.E.C. (GREY)

This type of radio system has been in circulation since 1.1.90. It has superseded all other models when supplying new doors because of its capability to give an effective signal at a greater distance, coupled with the fact each transmitter is equipped with a light to indicate battery level and signal transmission.

A major advantage with this unit, is that it can be fixed with an additional aerial in circumstances where the receiver is surrounded by metal which lowers the effectiveness of signal strength.

ITEM	DESCRIPTION	PART NUMBER
1	TRANSMITTER 2 BUTTON	ACS 002415
2	RECEIVER 2-4 BUTTON	ACS 002418
3	TRANSMITTER 4 BUTTON	ACS 002416
4	AERIAL	ACS 002421

All units can be coded via a series of rocker switches both inside the transmitters and receivers. For a system to function both the transmitters and receivers must have identical rocker positions.

RADIO ACTIVATION

STYLE (2) TELETRON (BROWN)

This unit is no longer supplied with new doors, but can be purchased as a spare part. This model can only be activated via one button.

ITEM	QTY	DESCRIPTION	PART NUMBER
1	1	TRANSMITTER	ACS 001650
2	1	RECEIVER	ACS 001659

The system works via a series of rocker switches mounted internally within the units. The rockers within both the receiver and transmitter must be in identical positions for the system to function.

RADIO ACTIVATION

STYLE (3) DORMA (BLACK)

This unit is no longer supplied with new doors but can be purchased as a spare part. These units all operate on fixed channels. To establish what channel of transmitter you have:

1. Remove the battery cover and take out the battery.
2. Look inside the battery housing area to find a mark to distinguish the channel number.

You will find the following marks:

KANAL 4
KANAL 46
KANAL 6
KANAL 24
KANAL 68

It is possible to purchase these unit with up to 3 station buttons, and therefore, you may have multiple KANAL numbers inside the battery housing area.

To establish the channel number of your receiver you have two options:

1. At the end of the aerial rod is a light coloured plastic cover, on this you will find the marks 4 or 46 etc.
2. On the outside of the receiver itself should be the channel number.

ITEM	DESCRIPTION	PART NUMBER
1	TRANSMITTER K4	ACS 001601
1	TRANSMITTER K6	ACS 001602
1	TRANSMITTER K24	ACS 001604
1	TRANSMITTER K46	ACS 001607
1	TRANSMITTER K68	ACS 001609
1	TRANSMITTER K4+K24	ACS 001610
1	TRANSMITTER K6+K46	ACS 001614
1	TRANSMITTER K6+K46+K4	ACS 001617
2	RECEIVERS K4	ACS 001621
2	RECEIVERS K6	ACS 001622
2	RECEIVERS K24	ACS 001624
2	RECEIVERS K46	ACS 001627
2	RECEIVERS K68	ACS 001629

These units work on fixed frequencies and are therefore pre-set at the factory. Any attempt to open these units would invalidate their warranty.

