



stertil[®]

Dockshelters WS, WL, WF

Spare Parts List

STERTIL B.V.
WESTKERN 3
9288 CA KOOTSTERTILLE NL.

FIG. A PARTS WS

INDEX	REFERENCE	DESCRIPTION
1	15-525-200*	Head frame assembly
2	15-525-100*	Side frame assembly
3		Head curtain
4		Side curtain (left & right)
5	15-525-021*	Angle (top)
6	15-535-011*	Angle (right)
7	15-535-016*	Angle (left)
8	65-003-363	Bolt M8 x 20 DIN 933
9	65-055-018	Washer M8 DIN 125
10	65-050-132	Nut M8 DIN 934
11	90-899-019	Seal L=3600
12	925-440	Fjong
13	15-425-150	Fjong chain
14	65-725-004	Socket domed head screw M8 x 25
15	65-655-713	Washer 35 x 11.5 x 1.5 aluminium
16	65-750-132	Bolt
17	15-510-018	Cable assembly
18	15-430-210	Bottom pad left (optional)
	15-430-220	Bottom pad right (optional)
19	65-010-069	Hexagon headwood screws
20a	15-425-160	Pulley
20b	925-450	Cord
20c	65-050-132	Nut
20d	65-055-306	Washer

For standard model only. Contact your supplier in case of a non-standard model!

FIG. A

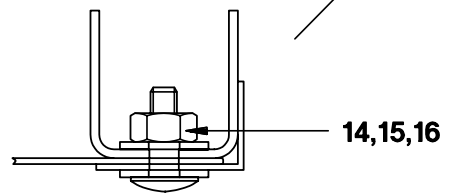
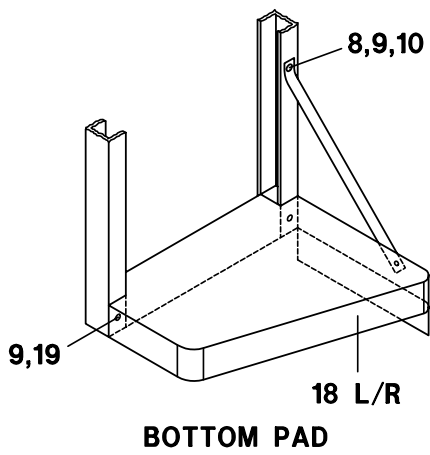
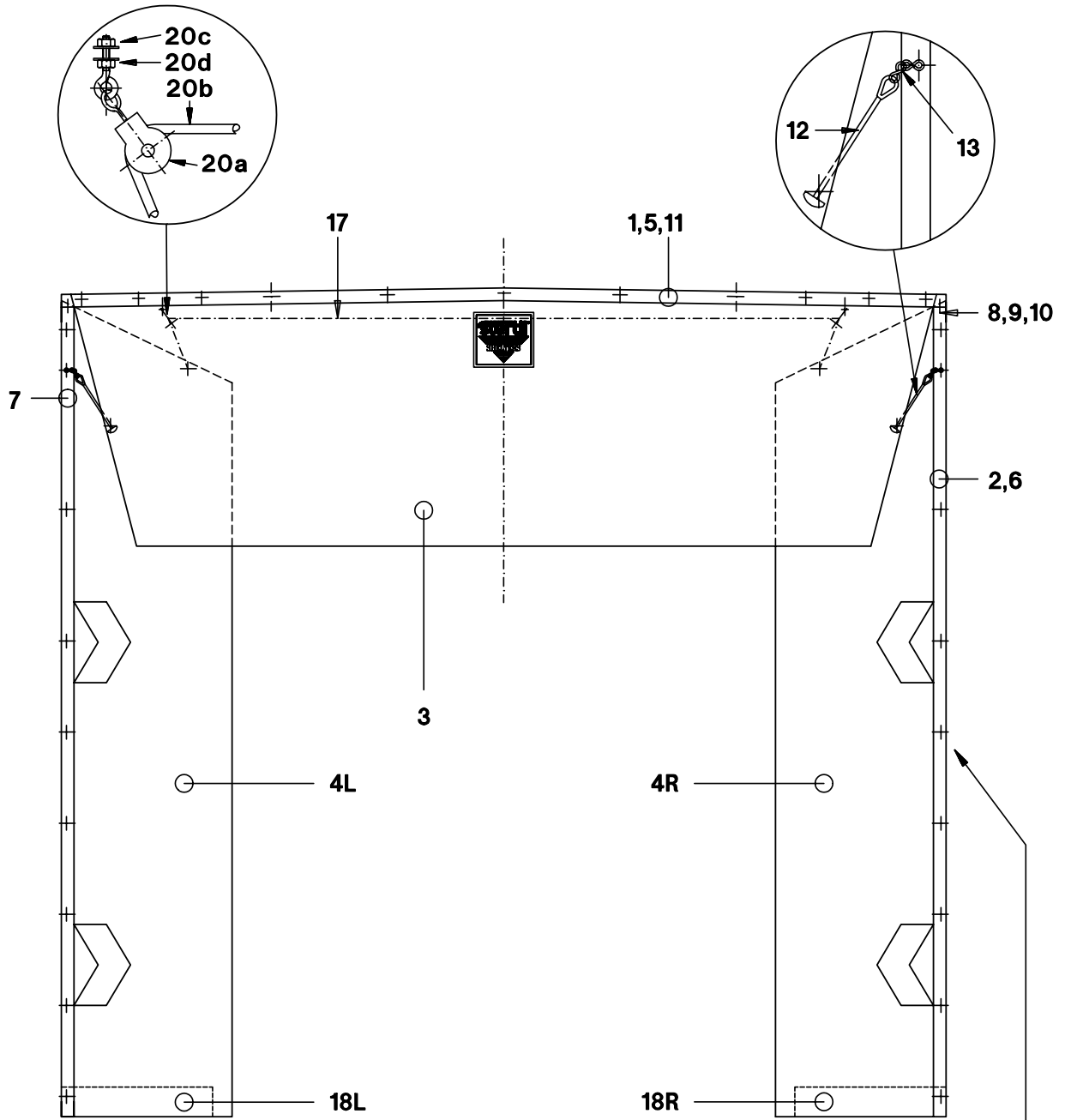


FIG. B PARTS WL

INDEX	REFERENCE	DESCRIPTION
1	15-570-211*	Top frame channel front (Type 574)
	15-571-211*	Top frame channel front (Type 544 and 554)
2	15-570-201*	Top frame channel rear
3	15-570-126*	Side frame channel front (Type 574)
	15-571-126*	Side frame channel front (Type 544 and 554)
4	15-570-101*	Side frame channel rear
5	15-570-225*	Top projection cloth (transparent)
	15-570-725*	Top projection cloth (black)
6R	15-570-125*	Side projection cloth right (transparent)
	15-570-625*	Side projection cloth right (black)
6L	15-570-175*	Side projection cloth left (transparent)
	15-570-675*	Side projection cloth left (black)
7	15-570-050*	Hinge arm assy
7a	15-570-025	Hinge
8	15-570-040	Bracket
9	15-570-020*	Top curtain
10R	15-570-010*	Side curtain (right)
10L	15-570-015*	Side curtain (left)
11	15-570-045	Cable assy (Type 574)
	15-571-045	Cable assy (Type 544 and 554)
11a	15-570-044	Pulley
11b	925-450	Cord
11c	65-050-132	Nut
12	925-440	Fjong
13	15-425-150	Fjong chain
14	65-045-007	Bolt
15	65-052-915	Nut
16	65-045-010	Plate bolt
17	65-045-011	Plate bolt
18+19	15-570-033	Set covers 2x front + 2x rear (transparent)
	15-570-533	Set covers 2x front + 2x rear (black)
20	5-010-069	Hexagon head wood screw
21	15-570-065	Bottom pad left (optional)
	15-570-060	Bottom pad right (optional)
22	65-045-009	Screw (self drilling/tapping)
23	65-055-708	Washer

For standard model only. Contact your supplier in case of a non-standard model!