



Dock Leveller SF Model

Spare Parts List

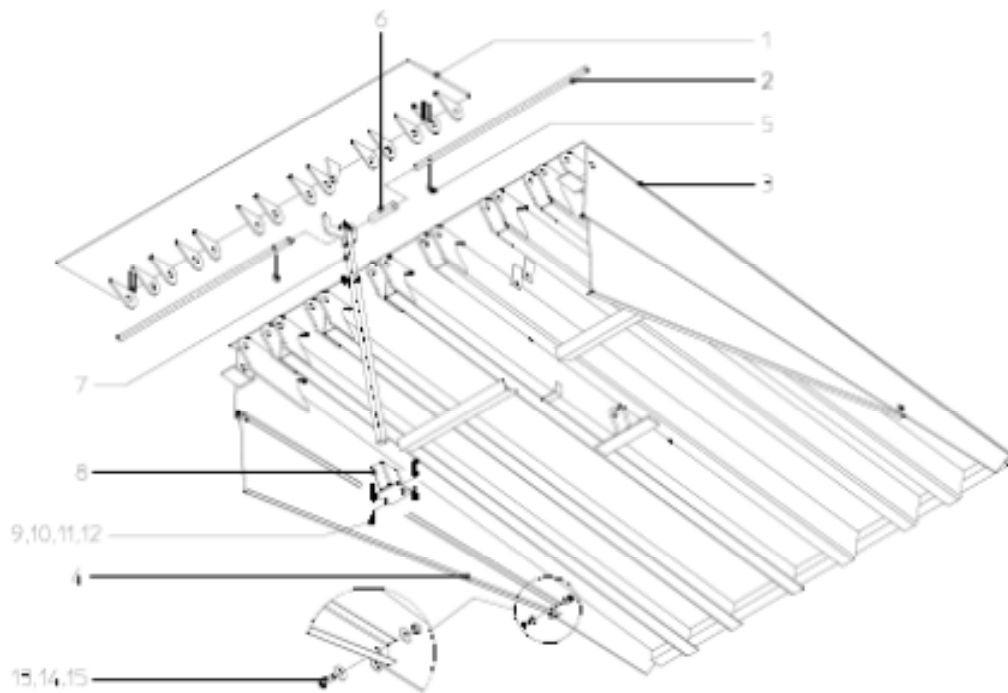
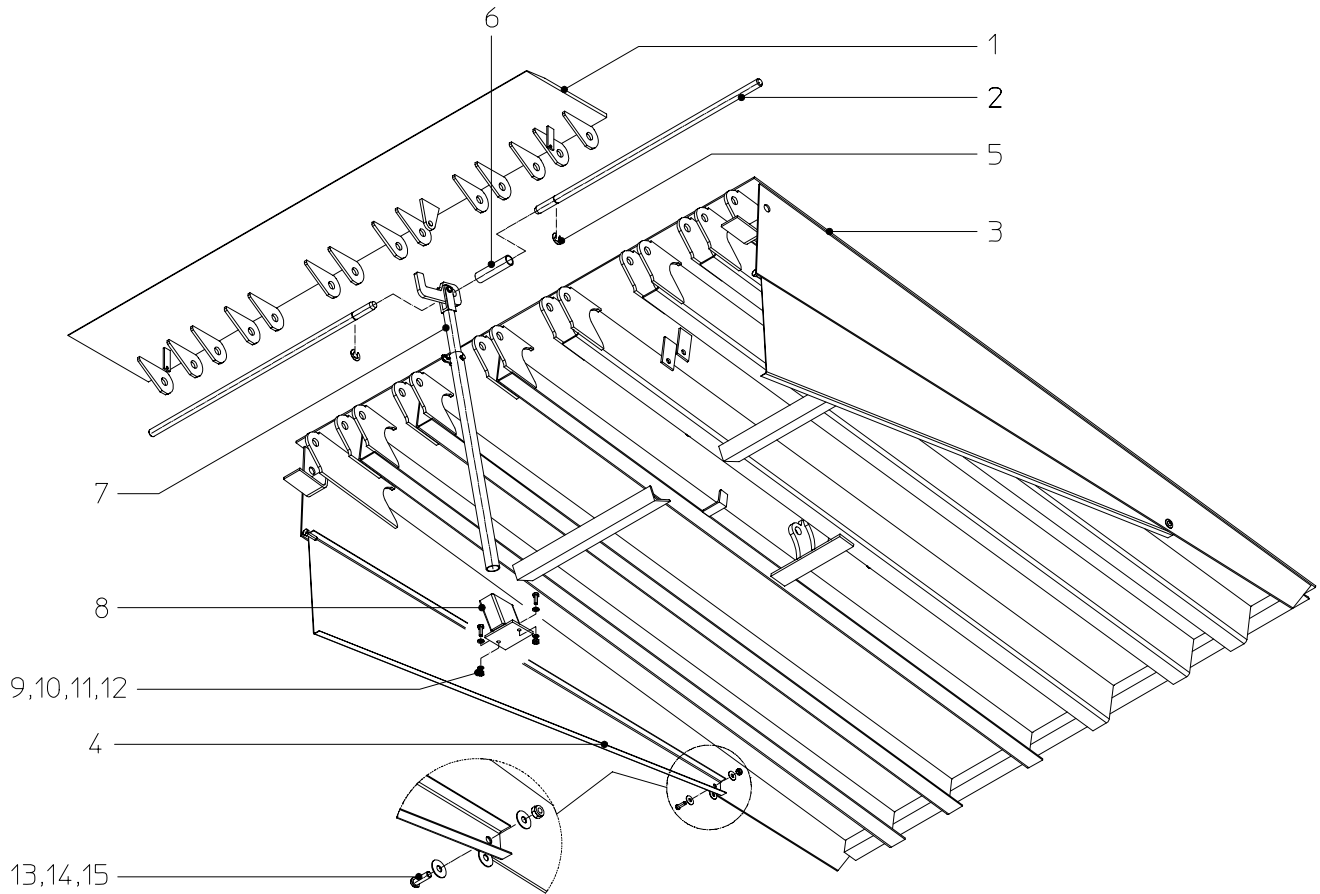


Fig. A Deck and lip



Tabel A-1 Lips Standard (1) (thread plate)

Width/Length	35..	40..	45..	50..	55..	60..	Lip rod (2)
SF ..17	06000300	06010300	06020300	06030300	06040300	06050300	06000002
SF ..18	06002300	06012300	06022300	06032300	06042300	06052300	06020002
SF ..20	06004300	06014300	06024300	06034300	06044300	06054300	06040002
SF ..21	06006300	06016300	06026300	06036300	06046300	06056300	06060002
SF ..22	06008300	06018300	06028300	06038300	06048300	06058300	06080002

Tabel A-2 Deck (3) (thread plate)

Width/Length	SF 20..	SF 22..	SF 25..	SF 28..	SF 30..	SF 35..	SF 40..	SF 45..
SF ..17	06000100	06010100	06020100	06030100	06040100	06050100	06060100	06070100
SF ..18	06002100	06012100	06022100	06032100	06042100	06052100	06062100	06072100
SF ..20	06004100	06014100	06024100	06034100	06044100	06054100	06064100	06074100
SF ..21	06006100	06016100	06026100	06036100	06046100	06056100	06066100	06076100
SF ..22	06008100	06018100	06028100	06038100	06048100	06058100	06068100	06078100

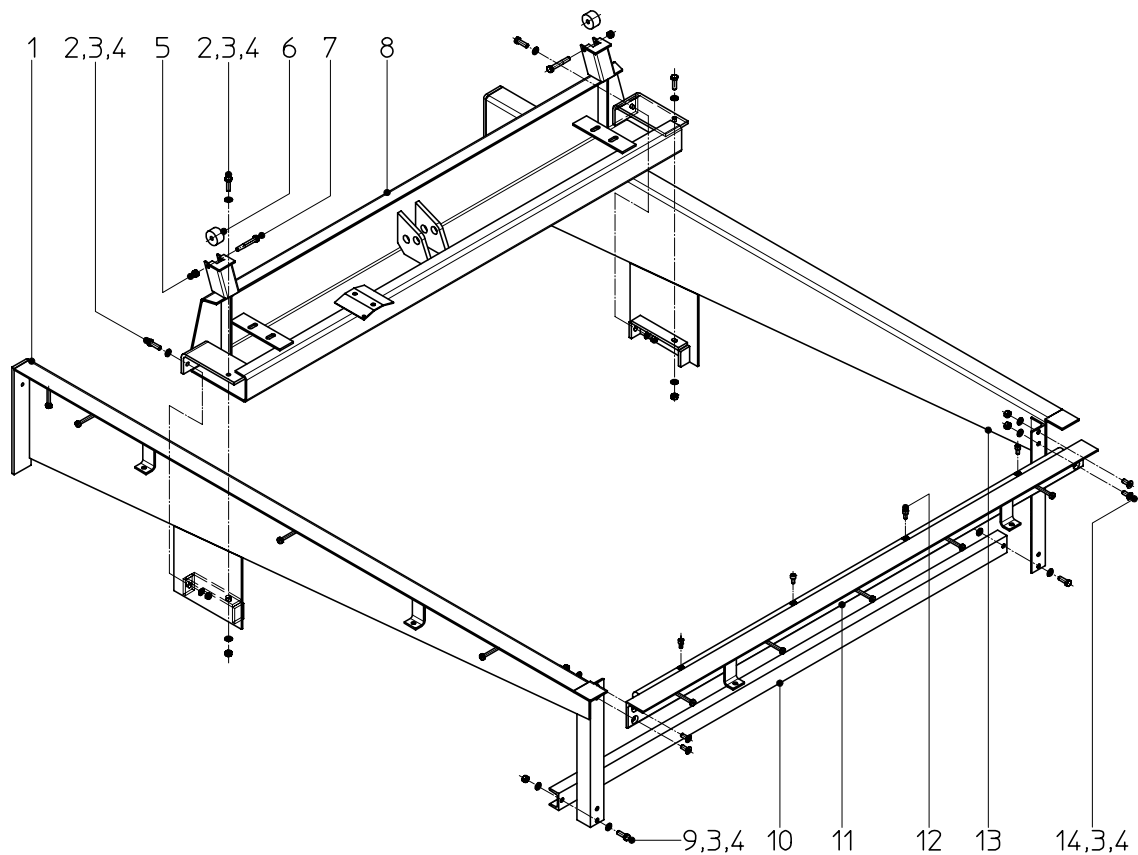
Tabel A-3 Sliding lamel (4)

SF 20..	SF 22..	SF 25..	SF 28..	SF 30..	SF 35..	SF 40..	SF 45..
06000215	06010030	06020030	06030030	06040030	06050030	06060030	06070030

Tabel A-4 Additional parts

Pos.	Reference	Description
5	65062036	Retaining ring
6	06000028	Spacer
7	06000020	Maintenance support
8	06000035	Bracket for maintenance support
9	65003407	Screw
10	65050134	Nut
11	65055019	Washer
12	65058028	Spring washer
13	65025007	Button head screw
14	65055712	Washer
15	65051034	Self locking nut

Fig. B Frame



Tabel B-1 Side panel L/R

	SF 20..	SF 22..	SF 25..	SF 28..	SF 30..	SF 35..	SF 40..	SF 45..
Conventional R (1)	06000215	06010215	06020215	06030215	06040215	06050215	06060215	06070215
QMS R (1)	06000515	06010515	06020515	06030515	06040515	06050515	06060515	06070515
Conventional L (13)	06000210	06010210	06020210	06030210	06040210	06050210	06060210	06070210
QMS L (13)	06000510	06010510	06020510	06030510	06040510	06050510	06060510	06070510

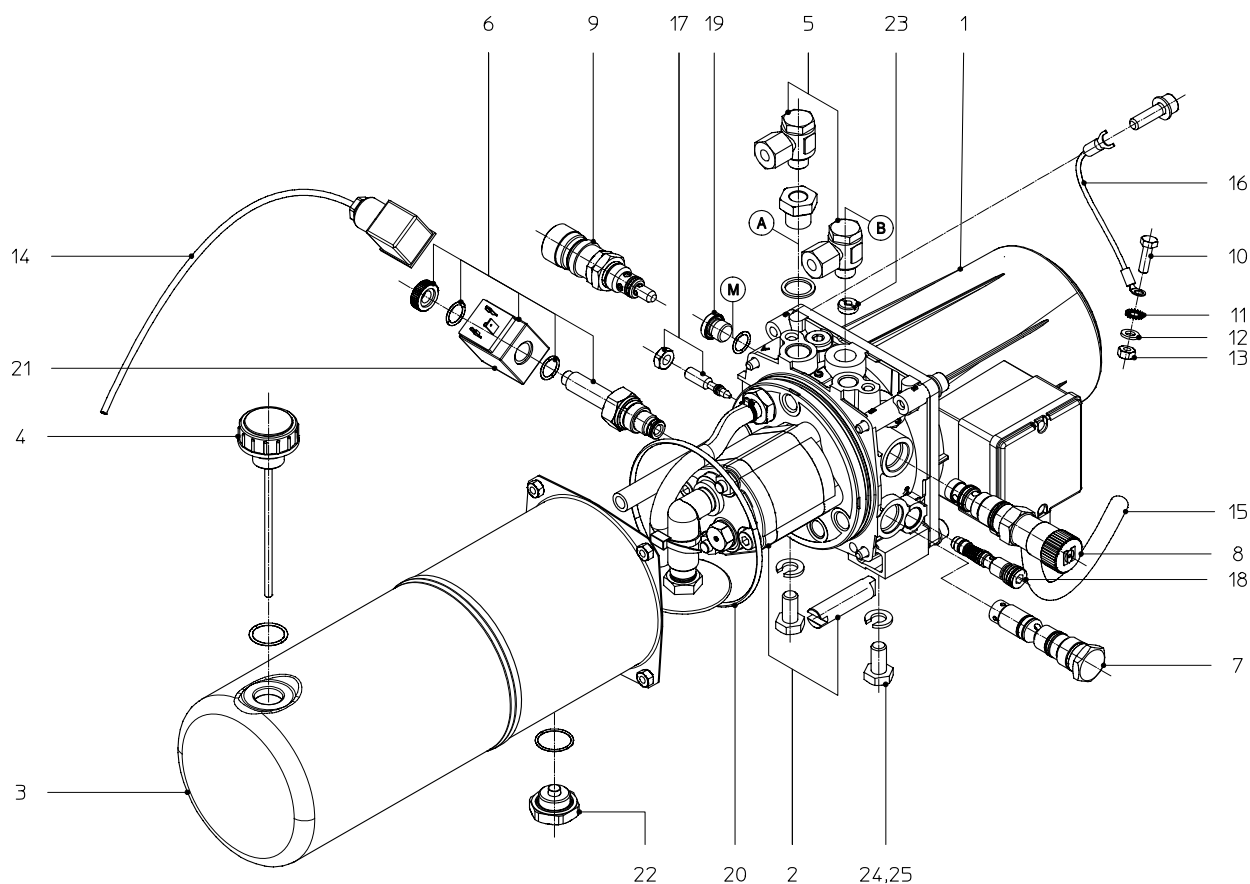
Tabel B-2 Frame parts

	Rear hinge (11)		Front angle (8)	Rear support (10)	Diagonal shore (35/40/45.. only)
	Conventional	QMS			
SF ..17	06000225	06100225	06000220	06000230	06050235
SF ..18	06002225	06102225	06002220	06002230	06052235
SF ..20	06004225	06104225	06004220	06004230	06054235
SF ..21	06006225	06106225	06006220	06006230	06056235
SF ..22	06008225	06108225	06008220	06008230	06058235

Tabel B-3 Additional parts

Pos.	Reference	Description
2	65003449	Screw
3	65055021	Washer
4	65050136	Hex nut
5	65051036	Self locking nut
6	02400006	Guide roller
7	65002457	Hex head screw
9	65003448	Hex head screw
12	65012443	Socket head screw
14	65025057	Countersunk head screw

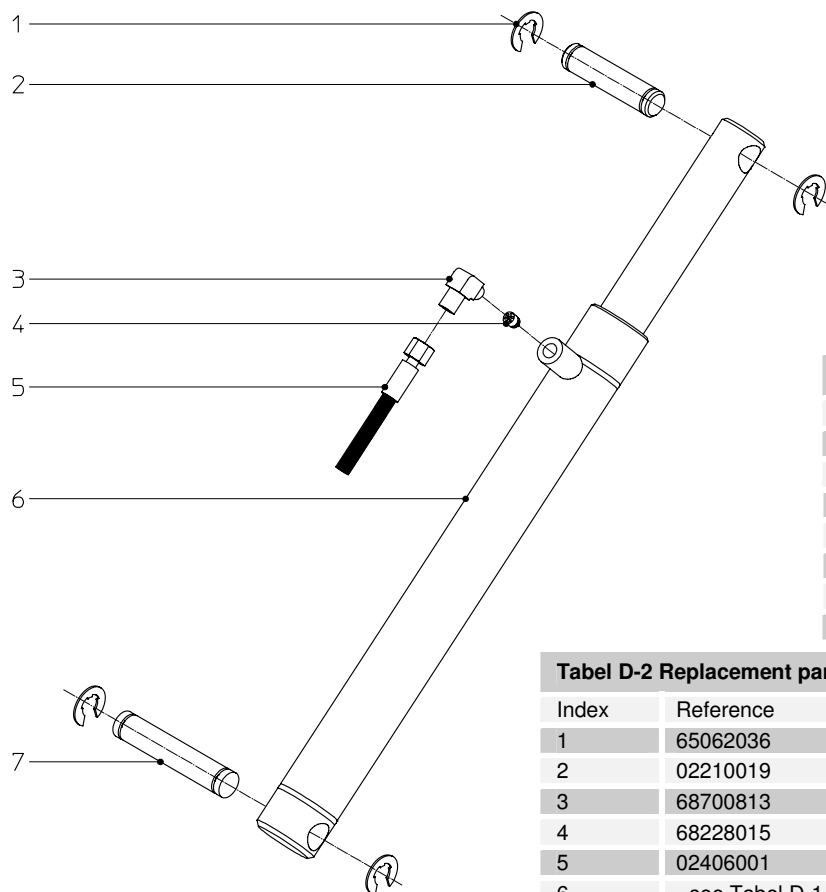
Fig. C Hydraulic unit



Tabel C-1 Hydraulic unit

Index	Reference	Description
	06000610	Hydraulic unit 3x230/400V 50Hz (excl. adaptor 5)
	06010610	Hydraulic unit 3x230/400V 60Hz (option)
	06020610	Hydraulic unit 3x200V 50Hz (option)
	06030610	Hydraulic unit 3x200V 60Hz (option)
1	02335611	Electric motor 3x230/400V 50Hz
2	06000612	Pump + coupling
3	02335613	Tank
4	02335614	Cap with dip stick
5	68702212	Adaptor
6	68308002	Stop valve (incl. coil) (See Fig. K 7)
7	02335666	Special valve (A-port) (See Fig. K 5)
8	02335667	Sequence valve (See Fig. K 3)
9	03700529	Pressure relief valve (See Fig. K 8)
10	65003287	Screw
11	1038.27.00.64	Toothed washer
12	65055015	Washer
13	65050128	Nut
14	02210021	Control cable
15	01810763	Power supply cable
16	02335602	Earth cable
17	-	Throttle (can not be dismantled) (See Fig. K 6)
18	02335670	Special valve (B-port) (See Fig. K 4)
19	06000621	Plug (M-port)
20	06000622	O-ring tank
21	69481501	Coil
22	-	Drain plug
23	-	Orifice (B-port)
24	65003403	Hex head screw
25	65055049	Washer

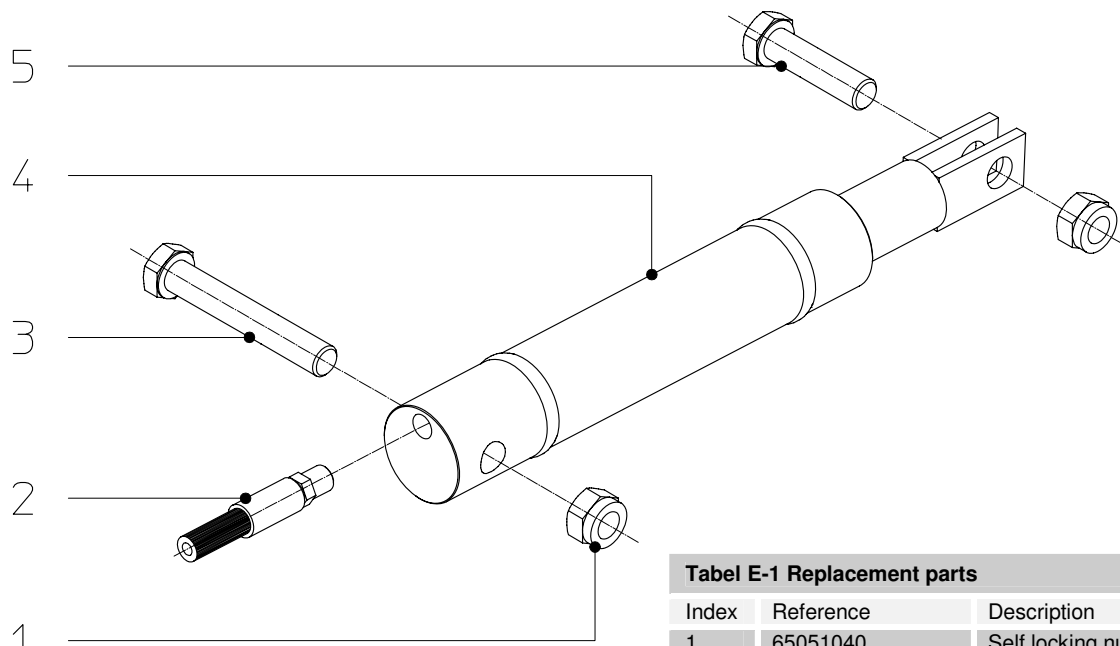
Fig. D Main cylinder



Tabel D-1 Main cylinder	
SF 20..	06000625
SF 22..	06010625
SF 25..	06020625
SF 28..	06030625
SF 30..	06050625
SF 35..	06050625
SF 40..	06050625
SF 45..	06060625

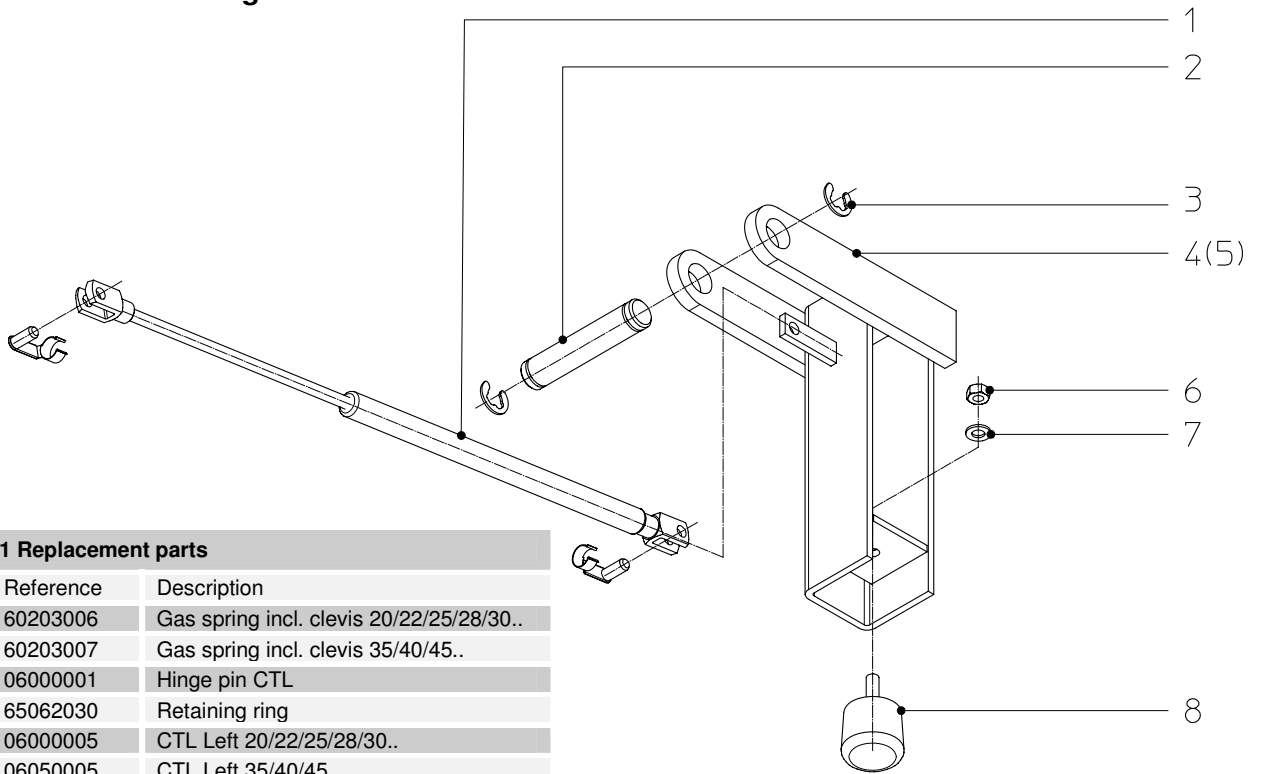
Tabel D-2 Replacement parts		
Index	Reference	Description
1	65062036	Retaining ring
2	02210019	Hinge pin (deck side)
3	68700813	Adaptor
4	68228015	Safety valve
5	02406001	Hydr. hose main cylinder
6	- see Tabel D-1-	Main cylinder (incl. 3 and 4)
7	01510021	Hinge pin (frame side)

Fig. E Lip cylinder



Tabel E-1 Replacement parts		
Index	Reference	Description
1	65051040	Self locking nut
2	06000602	Hydr. hose lip cylinder
3	65002542	Hinge screw (deck side)
4	06000680	Lip cylinder (35, 40, 45, 50)
	01510550	Lip cylinder (55 and 60)
5	65002534	Hinge screw (lip side)
6	68790034	Adaptor (only with 01510550)

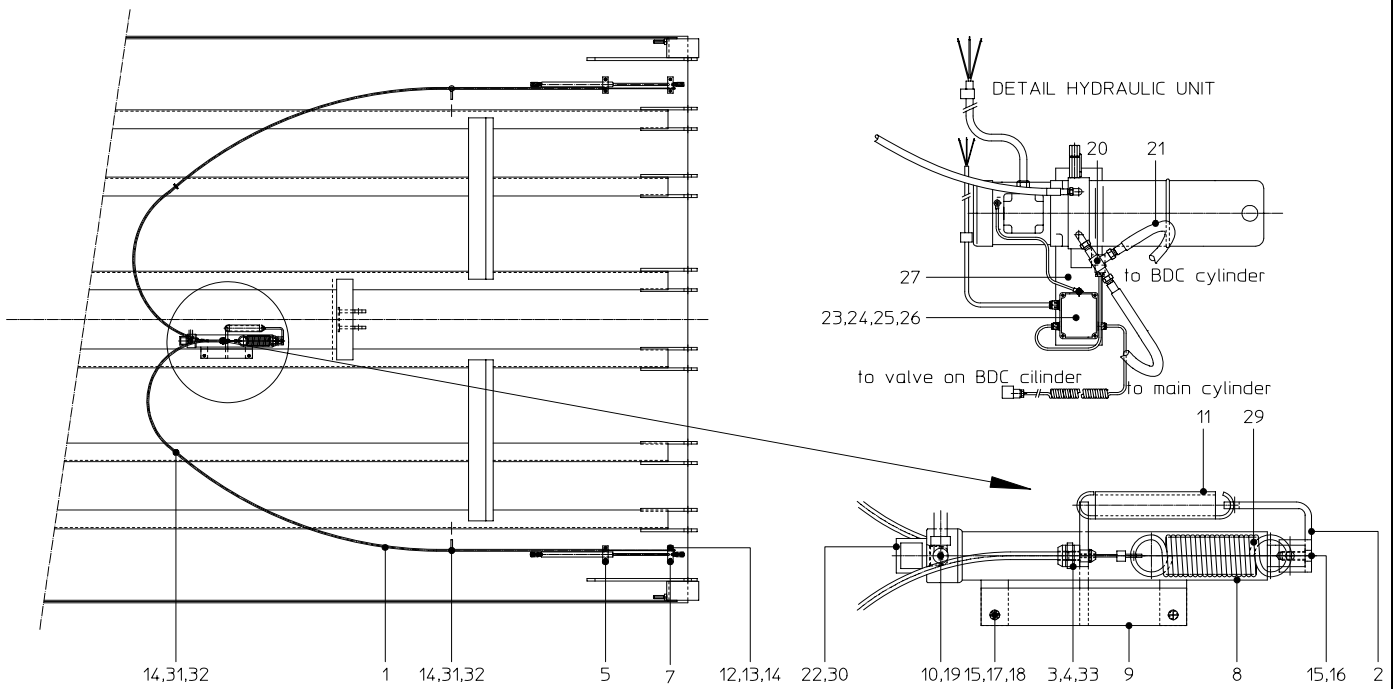
Fig. F Cross Traffic Legs



Tabel F-1 Replacement parts

Index	Reference	Description
1	60203006	Gas spring incl. clevis 20/22/25/28/30..
	60203007	Gas spring incl. clevis 35/40/45..
2	06000001	Hinge pin CTL
3	65062030	Retaining ring
4	06000005	CTL Left 20/22/25/28/30..
	06050005	CTL Left 35/40/45..
5	06000010	CTL Right 20/22/25/28/30..
	06050010	CTL Right 35/40/45..
6	65050132	Hexagon nut
7	65055018	Washer
8	66201046	Rubber buffer CTL

Fig. G BDC (Option)

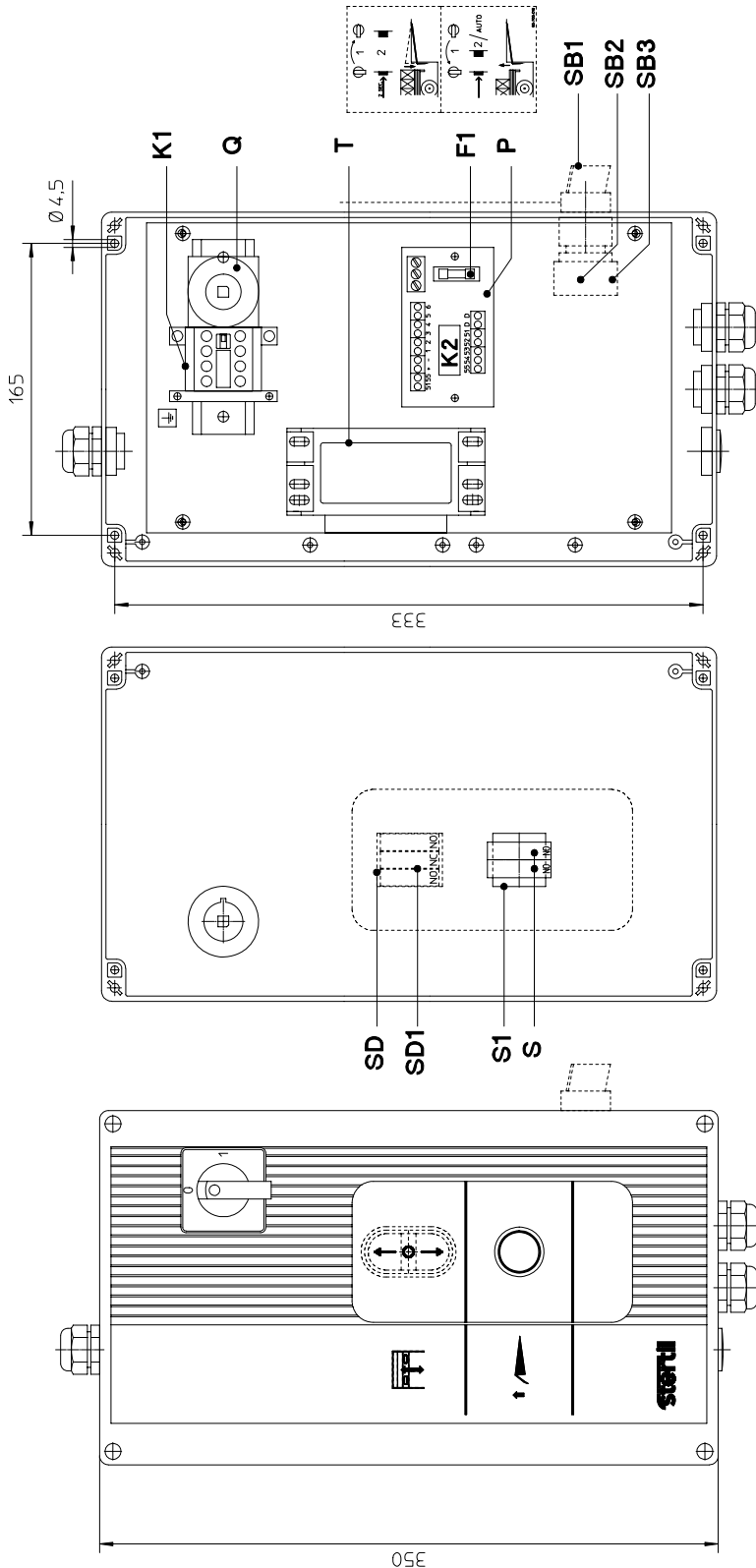


Index	Reference	Description
1	06000936	Bowden cable
2	06000938	Bracket for spring
3	06000937	Cable nipple
4	1038.40.01.00	Retaining ring
5	06000943	Half clamp (on tube)
7	06000944	Half clamp (on rod)
8	02335901	Below dock cylinder
9	06000940	Mounting bracket
10	68790034	Adaptor
11	00030084	Spring
12	65002295	Hexagon screw
13	65058018	Spring ring
14	65058028	Hexagon nut
15	65003365	Hexagon screw
16	65058024	Spring ring
17	65055018	Washer
18	65050132	Hexagon nut
19	68702212	Adaptor
20	68703212	Adaptor
21	02406002	Hydraulic hose
22	68308500	Valve incl. Coil
23	02219055	Connection box incl. cables
24	65034228	Self locking nut
25	65055013	Washer
26	65051024	Self locking nut
27	04630919	Bracket for connection box
28	Fig. H	Control box BDC
29	06000939	Spring
30	69481501	Coil
31	00925360	Screw eye
32	65055015	Washer
33	1026.02.00.10	Cable tie

Fig. H Control box

Tabel H-1 Control boxes

	400V	230V	200V
Standard	06000710	06000715	06020710
Door Switch	06000725	06000730	-
Below Dock Control	06000740	06000745	-
Below Dock Control + Door Switch	06000755	06000760	-



Tabel H-2 Replacement parts

Index	Reference	Description
P	69900120	Printed circuit board
S1	69141039	Push button
S	69141014	Contact block
SD	69141090	Push button (optional)
SD1	69141091	Push button (optional)
SB1	69141122	Turn Switch (optional)
SB2	69141014	Contact block (optional)
SB3	69141041	Contact block (optional)
Q	69120028	Main switch
K1	01615652	Magnetic switch
T	69500005	Transformer 400V
	69500006	Transformer 230V (optional)
	69500011	Transformer 200V (optional)
F1	69206006	Fuse 250mA slow
	69206007	Fuse 400mA slow (optional)

