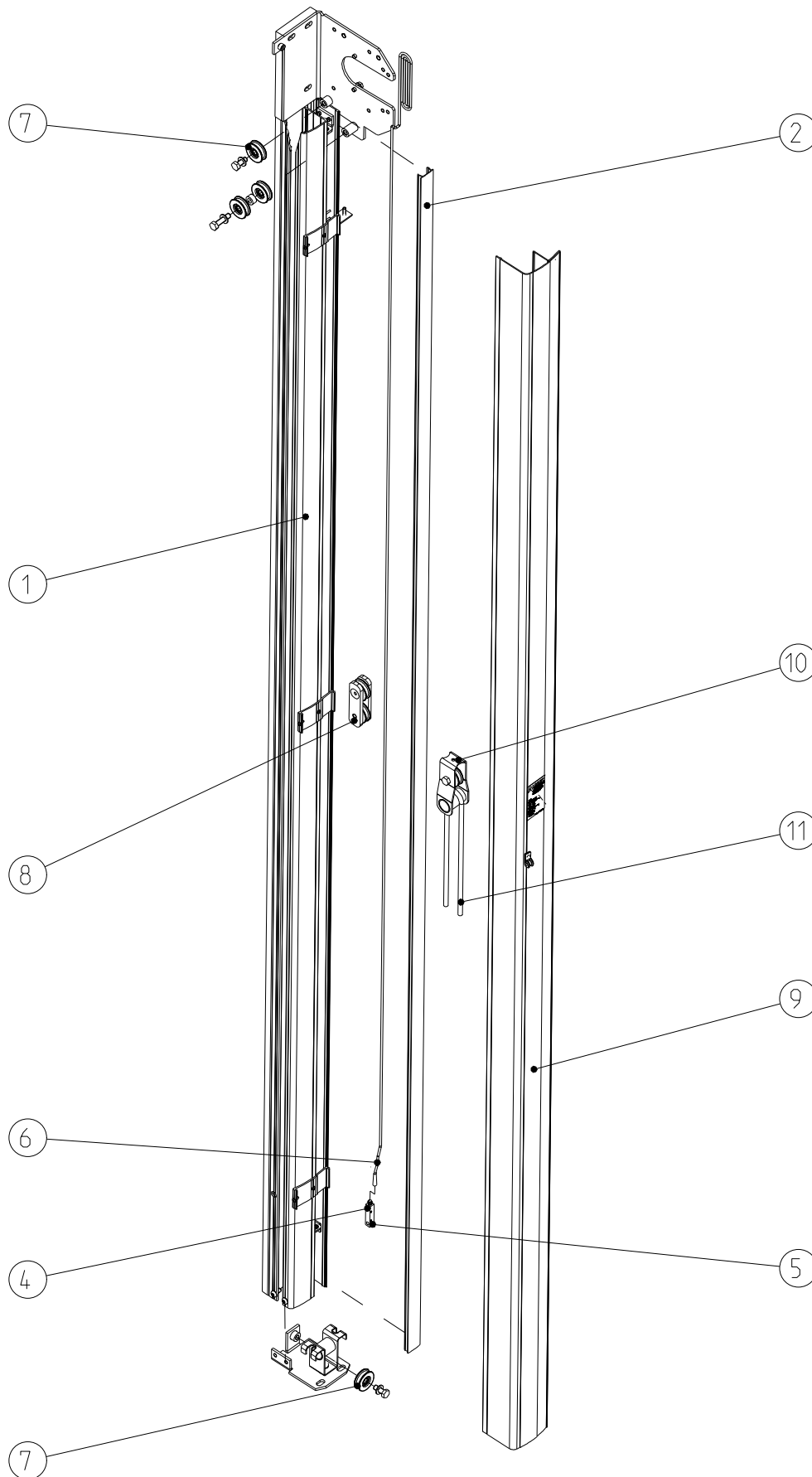


Spare part list
RR 330



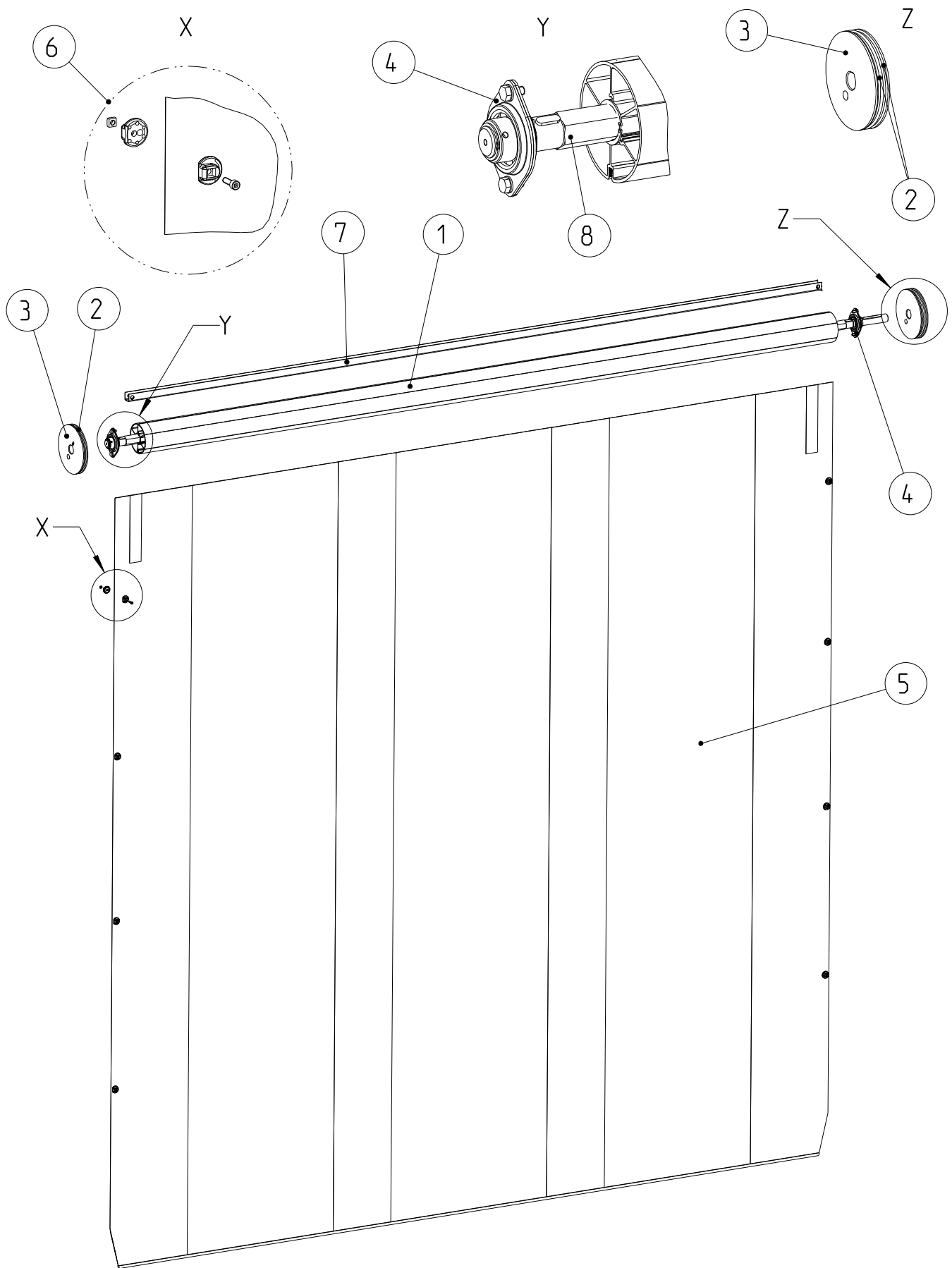
Side frame right	RR 330
Seitenteil rechts	RR 330
Karm höger	RR 330



RR330, Version 18

Pos. Item	Description	Bemerkung Note	gültig ab valid from	gültig bis valid to	Art.-Nr. Item-No	1	Delivery time class	Einheit Unit	Anzahl pro Tor Quantity per door	Verschleißteil part / Slijdetalij	Wear
I Side frame right											
	Side frame 330 RH		► 2005-12		D8220RG253	G	B		1		
		Base price						Stck./pc.			
		Upcharge						m/H			
	Extra balance system	Balance system						Stck./pc.			
	Side frame 330 RH		2006-01 ►		D8220RG242	G	B	m	1		
1	Frame profile pre-drilled 330		► 2003-01		D4721RG147	G	B	m	1		
	Frame profile pre-drilled 330		2003-02 ► ► 2005-12		D4721RG120	G	B	m	1		
	Frame profile pre-drilled 330		2006-01 ►		D4721RG113	G	B	m	1		
2	Cover strip wide yellow	L=DH+170	2003-02 ►		D4050RG014	G	A	m	1		
3	Photocell set cpl	ACS 70	► 2005-12		D96-6410-93		A	Stck./pc.	1		
4	Photocell Bernstein transmitter				D4904R0211		A	Stck./pc.	1		
6	Cable photocell 13,5m 3x0.25				D4907R0035		A	Stck./pc.	1		
7	Pulley 330				D5003R0008		A	Stck./pc.	4	X	
8	Ratio in frame	curtain Tension			D8120R0058		A	Stck./pc.	1	X	
9	Cover profile side frame MSO/ASO	in front	► 2003-01		D4721RG151	G	C	m	1		
	Cover profile side frame MSO/ASO	sideward	► 2003-01		D4721RG152	G	C	m	1		
	Cover profile side frame MSO/ASO (incl. brackets)		2003-02 ►		D4721RG115	G	B	m	1		
10	Ratio MSO/ASO cpl				D8120R0059		A	Stck./pc.	1		
11	Rubber cord MSO/ASO				D4421RG038	G	A	m/H	1	X	
II Side frame left standard											
	Side frame 330 LH		► 2005-12		D8220RG254	G	B		1		
		Base price						Stck./pc.			
		Upcharge						m/H			
	Extra balance system	Balance system						Stck./pc.			
	Side frame 330 LH		2006-01 ►		D8220RG243	G	B		1		
1	Frame profile pre-drilled 330		► 2003-01		D4721RG148	G	B	m	1		
	Frame profile pre-drilled 330		2003-02 ► ► 2005-12		D4721RG121	G	B	m	1		
	Frame profile pre-drilled 330		2006-01 ►		D4721RG114	G	B	m	1		
2	Cover strip wide yellow	L=DH+170	2003-02 ►		D4050RG014	G	A	m	1		
3	Photocell set cpl	ACS 70	► 2005-12		D96-6410-93		A	Stck./pc.	1		
5	Photocell Bernstein receiver				D4904R0283		A	Stck./pc.	1		
6	Cable photocell 13,5m 3x0.25				D4907R0035		A	Stck./pc.	1		
7	Pulley 330				D5003R0008		A	Stck./pc.	4	X	
8	Ratio in frame	curtain Tension			D8120R0058		A	Stck./pc.	1	X	
9	Cover profile side frame MSO/ASO	in front	► 2003-01		D4721RG151	G	C	m	1		
	Cover profile side frame MSO/ASO	sideward	► 2003-01		D4721RG152	G	C	m	1		
	Cover profile side frame MSO/ASO (incl. brackets)		2003-02 ►		D4721RG116	G	B	m	1		
10	Ratio MSO/ASO cpl				D8120R0059		A	Stck./pc.	1		
11	Rubber cord MSO/ASO				D4421RG038	G	A	m/H	1	X	

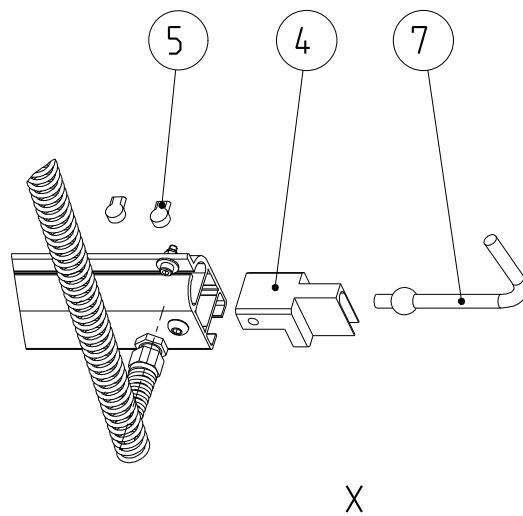
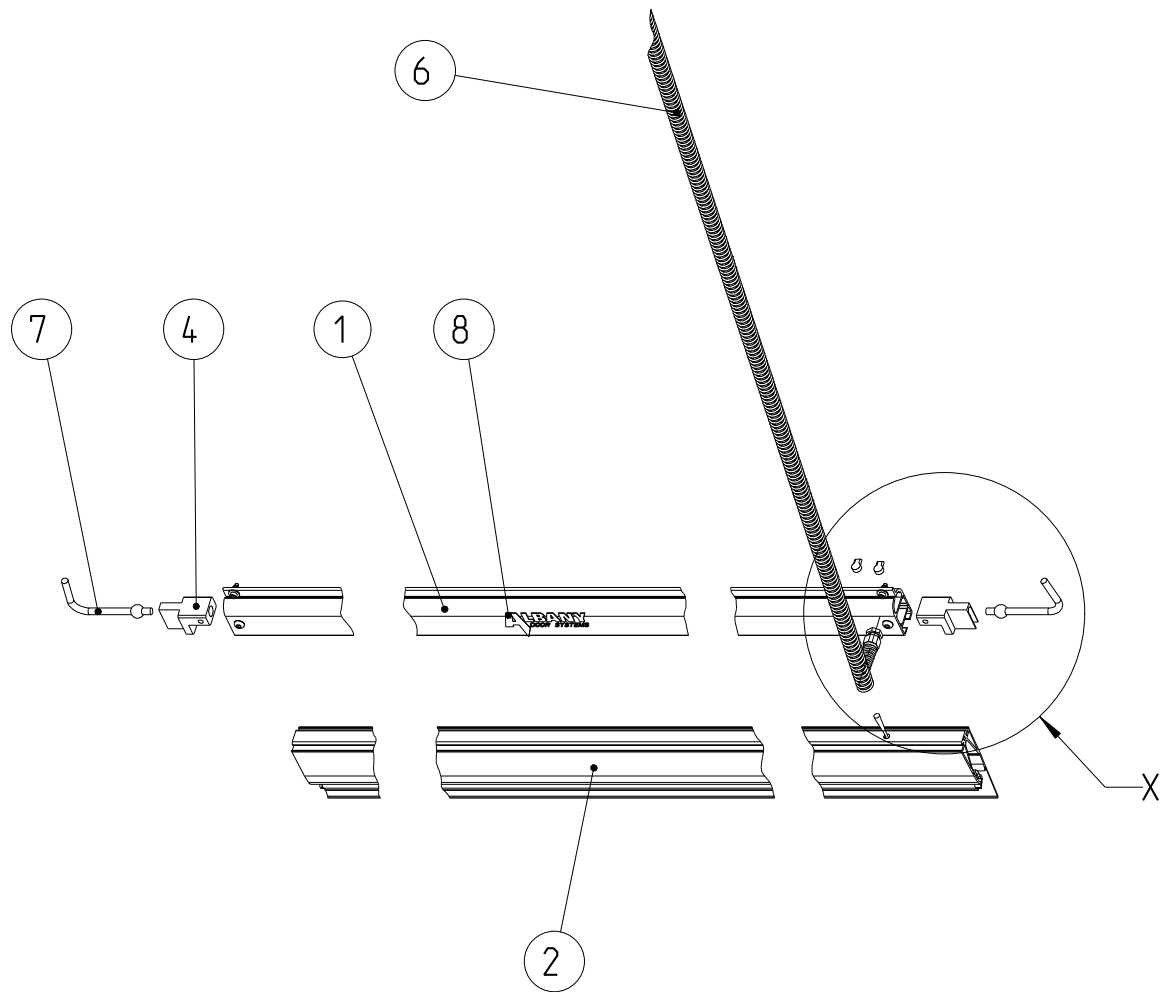
Top roll with door blade	RR 330
Wickelwelle mit Torbehang	RR 330
Vals med Portblad	RR 330



RR330, Version 18

Pos. Item	Description	Bemerkung Note	gültig ab ► gültig bis valid from ► valid to	Art.-Nr.		Delivery time class		Einheit Unit	Anzahl pro Tor Quantity per door	Verschleißteil part / Slitdetailj	Wear
				Item-No	1						
III	Top roll / curtain										
1	Top roll 330 cpl	ACS 50/70	2003-02 ► ► 2005-12	D8240RG107	G	B	m	1			
	Top roll 330 cpl		2006-01 ►	D8240RG107	G	B	m	1			
2	Rope balancing white 8 m			D5105R0031		A	Stck./pc.	2-4	X		
3	Rope drum single	curtain tension		D4721V0008		A	Stck./pc.	0-2			
	Rope drum double	MSO/ASO in front		D4721V0009		A	Stck./pc.	0-2			
4	Bearing			D8140R0005		A	Stck./pc.	2			
5	Door blade PVC with stripes			D8230RG058	G	C		1			
		Base price					Stck./pc.				
		Upcharge					m ²				
	Door blade PVC with stripes	Upcharge			G	C	m ²	1			
	Portblad / Rolltex Plus / Original / NomaTex			D8230RG312	G			1			
		Base price		D8230RG312b			Stck./pc.				
	Rolltex Plus / RollTex Original	Upcharge				C	m ²				
		Upcharge				D	m ²				
	Nomatex	Upcharge				D	m ²				
	Window horizontal / vertical					C	Stck./pc.				
	Vision ares doorblade NomaTex					C	m/w				
	Door blade Travitop 0,8 without vision panel	blue or red			D8230RG062	G	C	m ²	1		
	Door blade Travitop 0,8 without vision panel	special colour			D8230RG062	G	C	m ²	1		
Door blade Travitop 0,8 with vision panel	blue or red			D8230RG062	G	C	m ²	1			
Door blade Travitop 0,8 with vision panel	special colour			D8230RG062	G	C	m ²	1			
6	Windbreaktap (12 pcs.)			D8130R0009		A	Stck./pc.		X		
7	Distance rod			D4721RG056	G	B	m				
8	stub axle MSO/ASO (new side frame required)	retrofit kit	► 2003-01	D8140R0066		A	Stck./pc.	1			

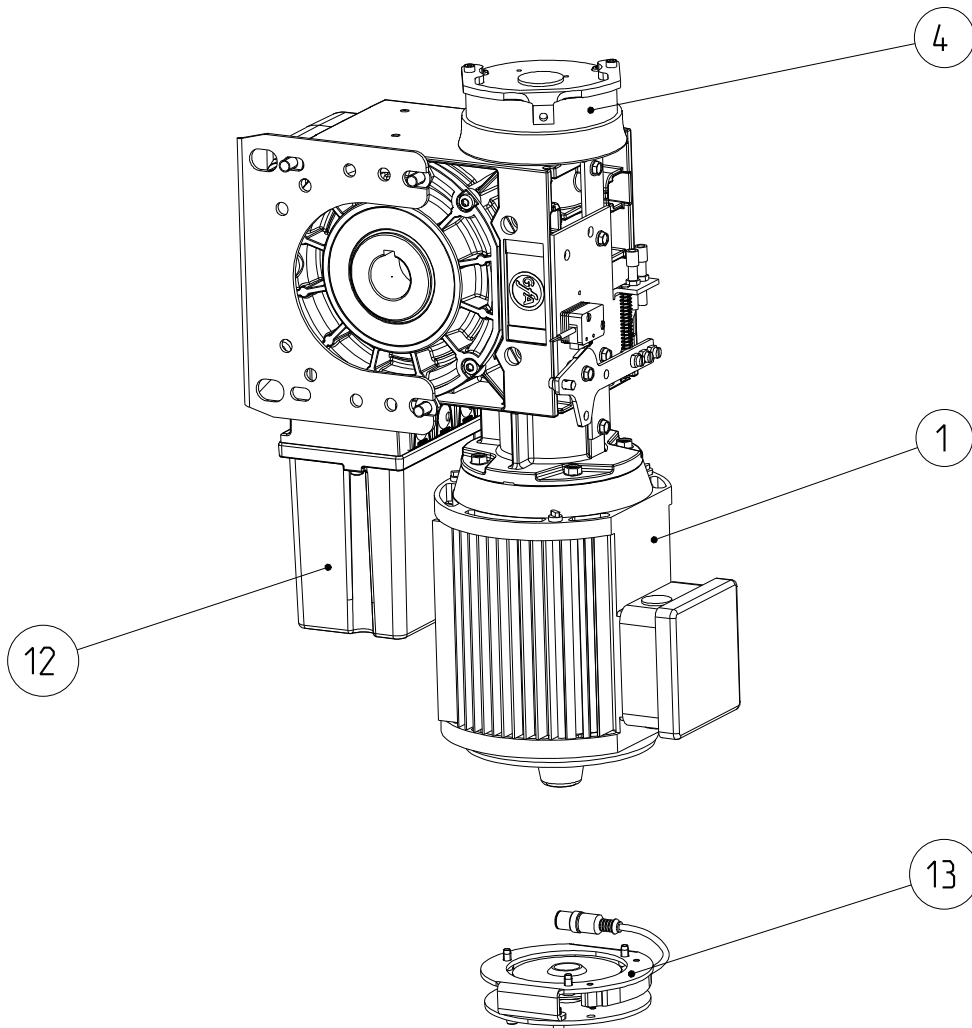
Bottom beam Mini	RR 330
Abschlussprofil Mini	RR 330
Bottenbalk Mini	RR 330



RR330, Version 18

Pos. Item	Description	Bemerkung Note	gültig ab ▶ gültig bis valid from ▶ valid to	Art.-Nr. Item-No		Delivery time class		Einheit Unit	Anzahl pro Tor Quantity per door	Verschleißteil part / Slitdetailj	Wear
IV	Bottom profile with safety edge										
	Bottom beam			D8550RG042	G	B	m	1			
1	Bottom beam pre-drilled 330		▶ 2005-12	D4721RG124	G	A	m	1			
	Bottom beam pre-drilled 330		2006-01 ▶	D4721RG069	G	A	m	1			
2	Rubber profile with integrated safety edge			D4421RG036	G	B	m	1			
	Rubber profile elongated sealing-lip			D4421RG037	G	C	m	1			
4	Sliding guide 330			D4121V0006		A	Stck./pc.	2		X	
	Sliding guide SRD 330			D4121R0264		A	Stck./pc.	2		X	
5	Connector 3M UR2			D4910V0013		A	Stck./pc.	2			
6	Coil cable 3x0.75		▶ 2004-04	D96-6105-96		A	Stck./pc.	1		X	
	Coil cable 5x0.75		2004-05 ▶	D4907R0038		A	Stck./pc.	1		X	
7	Rubber cord			D4421RG039	G	A	m	2		X	
8	Albany sign 100x40			D6403V0003		A	Stck./pc.	2			

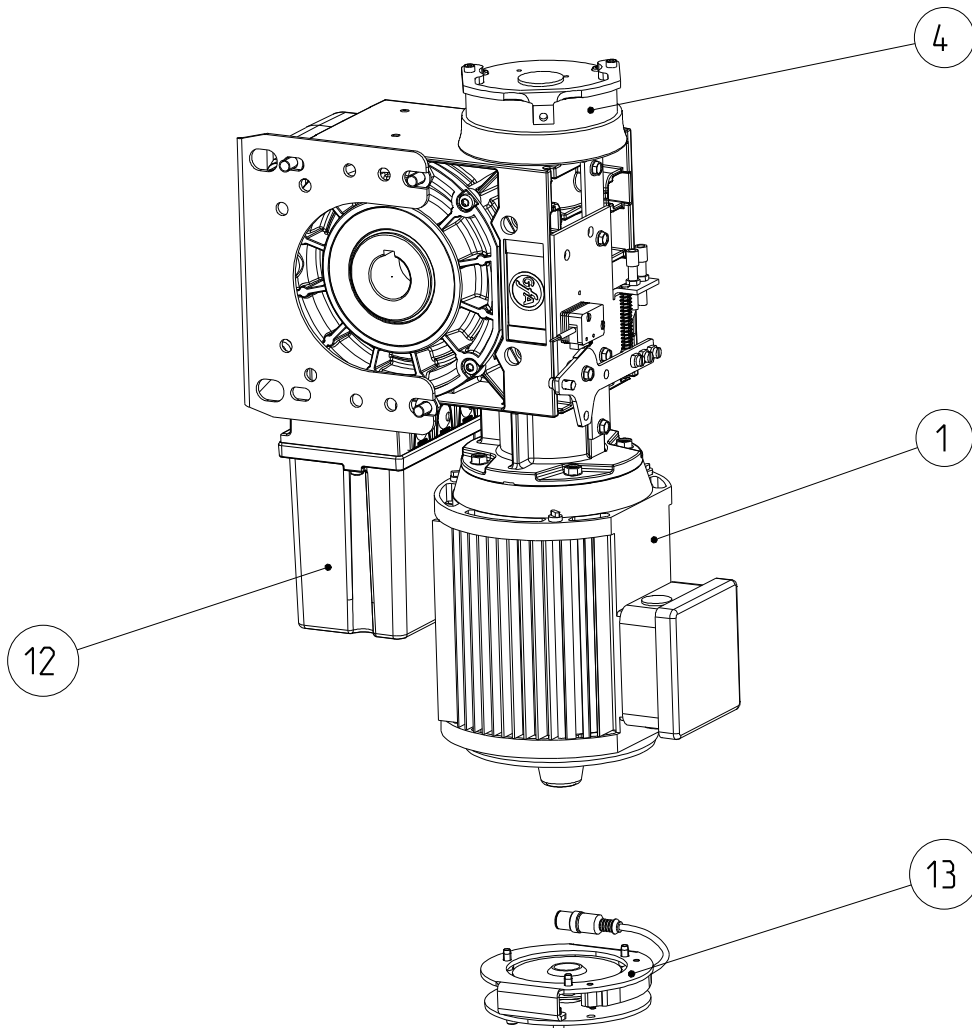
Drive unit complete	RR 330
Antrieb komplett	RR 330



RR330, Version 18

Pos. Item	Description	Bemerkung Note	gültig ab ► gültig bis valid from ► valid to	Art.-Nr.		Delivery time class	Einheit Unit	Anzahl pro Tor Quantity per door	Verschleißteil Wear part / Slitdetail
				Item-No	1				
V	Drive unit ACS 50/70								
1	Drive unit ACS 70 1.1kW Swedrive cpl	ACS 70		D96-9312-XX		A	Stck./pc.	1	
	Drive unit ACS 50 0.75kW Swedrive cpl	ACS 50	► 2005-12	D3202V0001		A	Stck./pc.	1	
2	Gearbox Swedrive standard	ACS 70		D03-9001-25		A	Stck./pc.	1	
	Gearbox Swedrive standard	ACS 50	► 2005-12	D03-9001-25		A	Stck./pc.	1	
3	Motor BN80 B4 1.1kW	ACS 70		D03-0702-25		A	Stck./pc.	1	
	Motor SKH 80-6B 0.75kW B14	ACS 50	► 2005-12	D6620V0005		A	Stck./pc.	1	
4	Brake 14Nm 24VDC	ASO	► 2003-12	D03-0133-25		A	Stck./pc.	1	X
	Brake 14Nm 190VDC	ACS 70		D03-0132-25		A	Stck./pc.	1	X
	Brake 8Nm 200VDC	ACS 50	► 2005-12	D6622V0001		A	Stck./pc.	1	X
5	Clutch bowex j19 19/19	ACS 70		D03-0095-25		A	Stck./pc.	1	
	Clutch bowex j19 19/19	ACS 50	► 2005-12	D03-0095-25		A	Stck./pc.	1	
6	Limit switch crank Ovitor	w.o. MSO/ASO		D4905V0077		A	Stck./pc.	1	
	Limit switch crank Ovitor ACS 50	w.o. MSO/ASO	► 2005-12	D4905V0077		A	Stck./pc.	1	
7	Bracket crank switch	w.o. MSO/ASO		D4521V0107		A	Stck./pc.	1	
	Bracket crank switch ACS 50	w.o. MSO/ASO	► 2005-12	D4521V0107		A	Stck./pc.	1	
8	Inductive sensor for zero pulse 330 cpl	ACS 70		D3201V0003		A	Stck./pc.	1	
9	Inductive sensor M12 NO PNP with 5m cable	ACS 70		D4904V0069		A	Stck./pc.	1	
10	A-pos RH with 5 m cable (green)	ACS50 / DH<=3.5	► 2006-08	D4904V0063		A	Stck./pc.	1	X
	A-pos LH with 5 m cable (red)	ACS50 / DH<=3.5	► 2006-08	D4904V0065		A	Stck./pc.	1	X
	A-pos RH 15 turn with 10 m cable	ACS50 / DH>3.5	► 2006-08	D4904V0058		A	Stck./pc.	1	X
	A-pos LH 15 turn with 10 m cable	ACS50 / DH>3.5	► 2006-08	D4904V0057		A	Stck./pc.	1	X
11	Rubber bush 100-b + screw	ACS 70		D96-4830-91		A	Stck./pc.	1	X
	Rubber bush 100-b + screw	ACS 50	► 2005-12	D96-4830-91		A	Stck./pc.	1	X

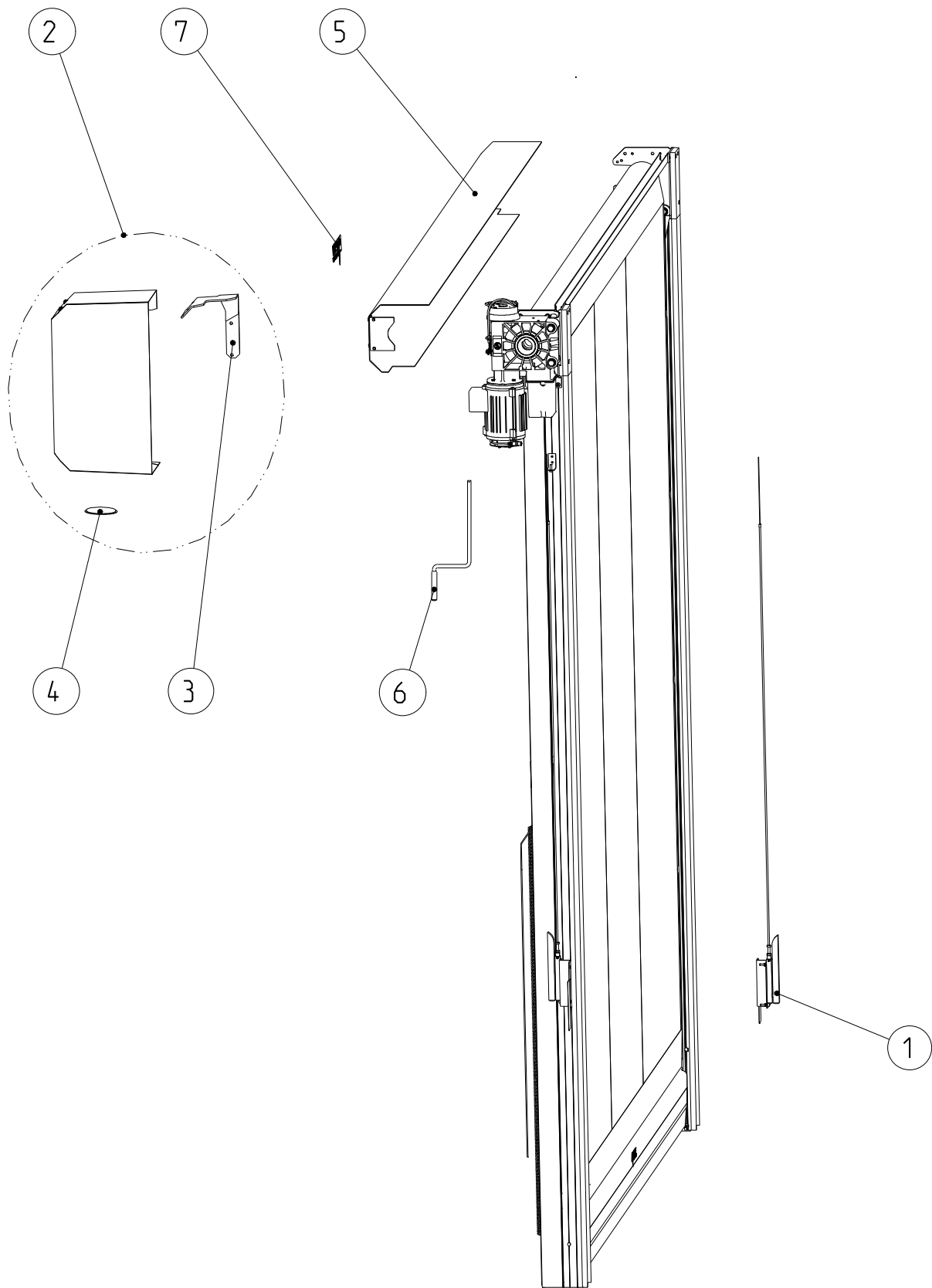
Drive unit complete	RR 330
Antrieb komplett	RR 330



RR330, Version 18

Pos. Item	Description	Bemerkung Note	gültig ab valid from	gültig bis valid to	Art.-Nr.		Delivery time class	Einheit Unit	Anzahl pro Tor Quantity per door	Verschleißteil part / Sliedetaij	Wear	
					Item-No	1						
VI	Drive unit ACS 50 / MCC 2006-01 ▶											
	Gear motor complete, drive GfA (no E-Connection)	ACS50, MCC, without control; drive GfA	2006-01 ▶		D8410RG085	G	C		1			
	Antrieb ACS 50 fail safe brake							Stck./pc.				
	ACS 50 open circuet brake							Stck./pc.				
	MCC fail safe brake							Stck./pc.				
	MCC open circuet brake brake							Stck./pc.				
1	Gear motor 0,75 kW GfA	ACS50, without control; drive GfA	2007-03 ▶		D8910R0084		A	Stck./pc.	1			
	Gear motor 0,75 kW GfA	MCC; drive GfA	2007-03 ▶		D8910R0086		A	Stck./pc.	1			
	Gear motor, drive Nord corp.	ACS50, without control; drive Nord	2006-01 ▶ ▶2007-02		D8910R0093		A	Stck./pc.	1			
	Gear motor, drive Nord corp.	MCC; drive Nord	2006-01 ▶ ▶2007-02		D8910R0075		A	Stck./pc.	1			
	Retrofit drive Nord corp. to GfA corp.	ACS50	2006-01 ▶ ▶2007-02		D8410RG094	G	B	Stck./pc.				
	Retrofit drive Nord corp. to GfA corp.	MCC	2006-09 ▶ ▶2007-02		D8410RG094		B	Stck./pc.				
4	Brake (fail safe brake (standard)), for drive GfA	ACS 50 / MCC	2007-03 ▶		D6622R0026		A	Stck./pc.	1			
10	A-pos RH with 5 m cable (green)	ACS50 / DH<=3.5	▶ 2006-08		D4904V0063		A	Stck./pc.	1	X		
	A-pos LH with 5 m cable (red)	ACS50 / DH<=3.5	▶ 2006-08		D4904V0065		A	Stck./pc.	1	X		
	A-pos RH 15 turn with 10 m cable	ACS50 / DH>3.5	▶ 2006-08		D4904V0058		A	Stck./pc.	1	X		
	A-pos LH 15 turn with 10 m cable	ACS50 / DH>3.5	▶ 2006-08		D4904V0057		A	Stck./pc.	1	X		
11	Rubber bush		2006-01 ▶ ▶2006-08		D4421R0038		A	Stck./pc.	1	X		
	Rubber bush, for drive Nord		2006-09 ▶ ▶2007-02		D5004R0041		A	Stck./pc.	1	X		
12	Geared limit switch, for drive Nord	ACS 50 / MCC	2006-09 ▶ ▶ 2007-02		D4906R0053		A	Stck./pc.	1			
	Limit switch section, 6 switches, for drive GfA	ACS 50 / MCC	2007-03 ▶		D4905018		A	Stck./pc.	1			
	Cam, for drive GfA	ACS 50 / MCC	2007-03 ▶		D4801240		A	Stck./pc.	6			
13	Encoder MCC with bracket for drive GfA	MCC	2007-03 ▶		D8410R0080		B	Stck./pc.	1			
14	Control cable, for drive GfA	ACS50, without control; drive GfA	2006-01 ▶		D8903RG144	G	B		1			
		Base price						Stck./pc.				
		Upcharge							m			
		Control cable, for drive Nord	MCC, drive GfA			D8903RG145						
			Base price						Stck./pc.			
			Upcharge							m		
		Control cable, for drive Nord	MCC; drive Nord	2006-01 ▶ ▶2007-02		D8830RG046	G	B		1		
		Control cable, for drive Nord	ACS50, without control; drive Nord	2006-01 ▶ ▶2007-02		D8830RG047	G	B		1		

RR 330	Options
RR 330	Optionen



RR330, Version 18

Pos. Item	Description	Bemerkung Note	gültig ab valid from	gültig bis valid to	Art.-Nr. Item-No		Delivery time class	Einheit Unit	Anzahl pro Tor Quantity per door	Verschleißteil Wear part / Slitdetailj
						1				
VII Options										
1	Brake release cpl one side				D8170RG022	G	B	Stck./pc.	1	
2	Motor cover cpl RH				D8160R0111		B	Stck./pc.	1	
	Motor cover cpl LH				D8160R0112		B	Stck./pc.	1	
3	Bracket motor cover RH		2008-04	▶	D4521R1495		A	Stck./pc.	1	
	Bracket motor cover LH				D4521R1496		A	Stck./pc.		
4	Cover black				D4121R0222		A	Stck./pc.	1	
5	Top roll cover 330 cpl		▶	2003-01	D8260RG030	G	C	m	1	
	Top roll cover 330 cpl		▶	2003-02	D8260RG004	G	C	m	1	
6	Crank 1.0m Bonfiglioli	w.o MSO/ASO	▶	2005-12	D00-9125-01		A	Stck./pc.	1	
	Crank 1.5m Bonfiglioli	w.o MSO/ASO	▶	2005-12	D00-9125-02		A	Stck./pc.	1	
	Crank 2.0m Bonfiglioli	w.o MSO/ASO	▶	2005-12	D00-9125-03		A	Stck./pc.	1	
	Crank short Bonfiglioli	w.o MSO/ASO	▶	2005-12	D00-9125-04		A	Stck./pc.	1	
7	Albany sign 250x100				D6403V0001		A	Stck./pc.	1	

Legend	
1	
G	Generic Item
Delivery time	
A	Within 24 hours
B	2-3 Workdays
C	5-8 Workdays
D	10-14 Workdays
E	On request
Wear parts	
x	Standard wear with time/use

