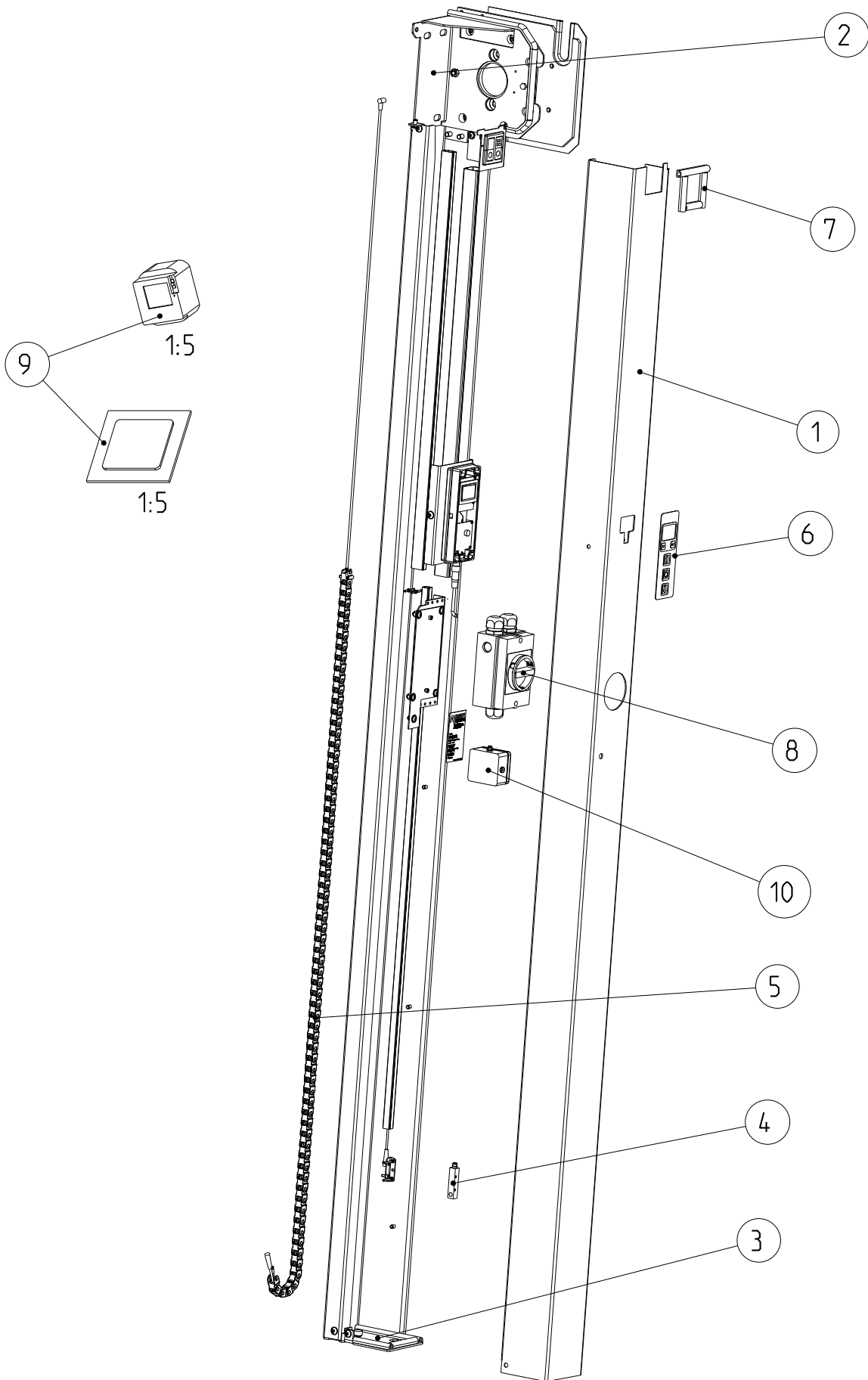


Spare Parts RR Clean



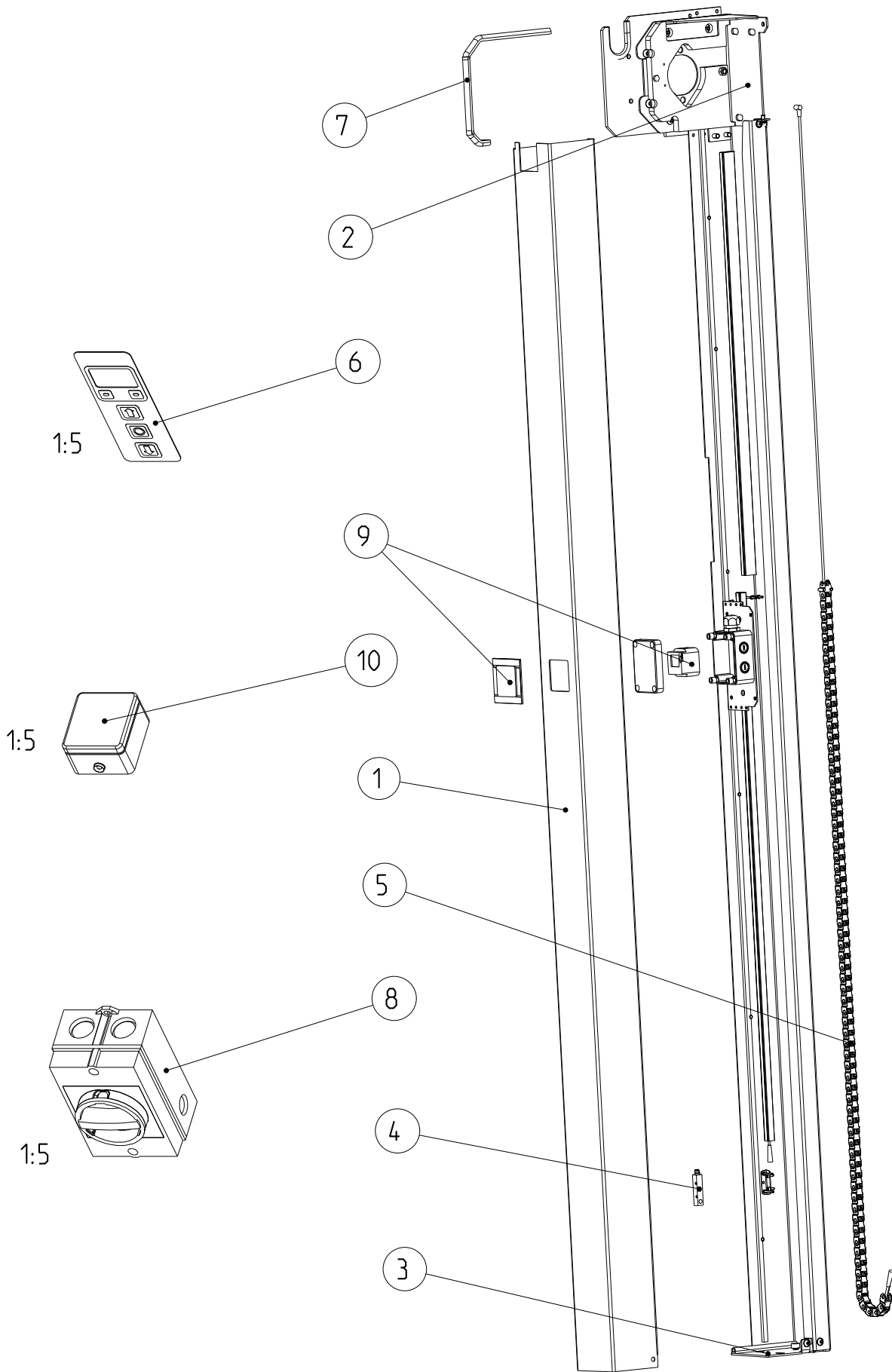
2013-05 Index 00

Side frame right	RR Clean Room
Seitenteil rechts	RR Clean Room



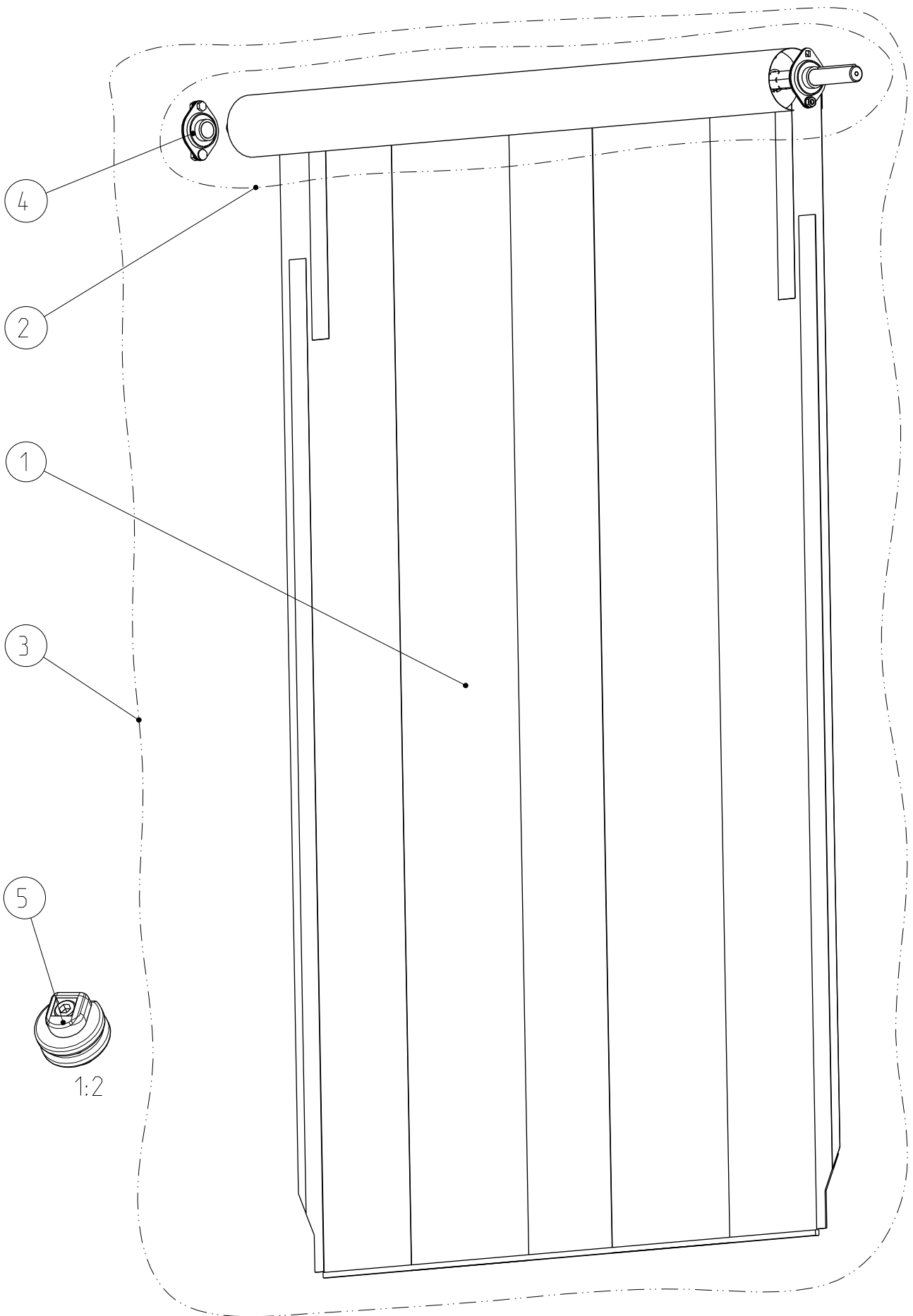
RR Clean, Version 06			gültig ab ▲ gültig bis valid from ▲ valid to	Art.-Nr. Item-No	1	Delivery time class	Preiseinheit Unit	Anzahl pro Tor Quantity per door	Verschleißteil part / Siltdetalle	Wear
Pos. Item	Description	Bemerkung Note								
	Side frame right (see drawing frame complete)									
	RH side frame complete			D8220RG312	G	C	m	1		
1	RH side frame cover	A2		D4621RG191	G	C	m	1		
	RH side frame cover	Steel		D4521RG342	G	C	m	1		
2	RH head plate	A2		D4621R0286		A	Stck./pc.	1		
3	RH bottom plate	A2		D4621R0490		A	Stck./pc.	1		
4	Photocell transmitter without bracket - blue			D4904R0547		A	Stck./pc.	1		
	Cable photocell 13,5m 3x0,25	MCC		D4907R0035		A	Stck./pc.	1		
	Cable photocell 8m	ACS50		D4907R0030		A	Stck./pc.	1		
5	Cable chain safety edge 900mm	DH≤1500		D8520R0001		A	Stck./pc.	1		
	Cable chain safety edge 1400mm	1500<DH≤2500		D8520R0007		A	Stck./pc.	1		
	Cable chain safety edge 1900mm	DH>2500		D8520R0008		A	Stck./pc.	1		
	Cable chain prerunning photocell 900mm	DH≤1500		D8520R0011		A	Stck./pc.	1		
	Cable chain prerunning photocell 1400mm	1500<DH≤2500		D8520R0009		A	Stck./pc.	1		
	Cable chain prerunning photocell 1900mm	DH>2500		D8520R0010		A	Stck./pc.	1		
6	Foil key MCC display	MCC; DH≥1730		D4905V0056		A	Stck./pc.	1		
	Display cable 0,2m	MCC; DH≥1730		D4907R0141		A	Stck./pc.	1		
	see spare part list MCC	MCC								
7	Rubber sealing	(1000 mm)		D4402RG009	G	B	Stck./pc.	1		
	Foam sealing	(10000 mm)		D4401R0035		A	Stck./pc.	1		
8	Main switch	MCC		D8410R0092		A	Stck./pc.	1		
9	Magic switch	integrated actuator		D4904R0497		A	Stck./pc.	1		
	Plate activator	integrated actuator		D4121R0478		A	Stck./pc.	1		
	Number cable 3x0,75 without PE, L=7000	integrated actuator		D4907R0149		A	Stck./pc.	1		
10	Terminal box cpl. with LED	USV		D8420R0018		B	Stck./pc.	1		

Side frame left	RR Clean Room
Seitenteil links	RR Clean Room



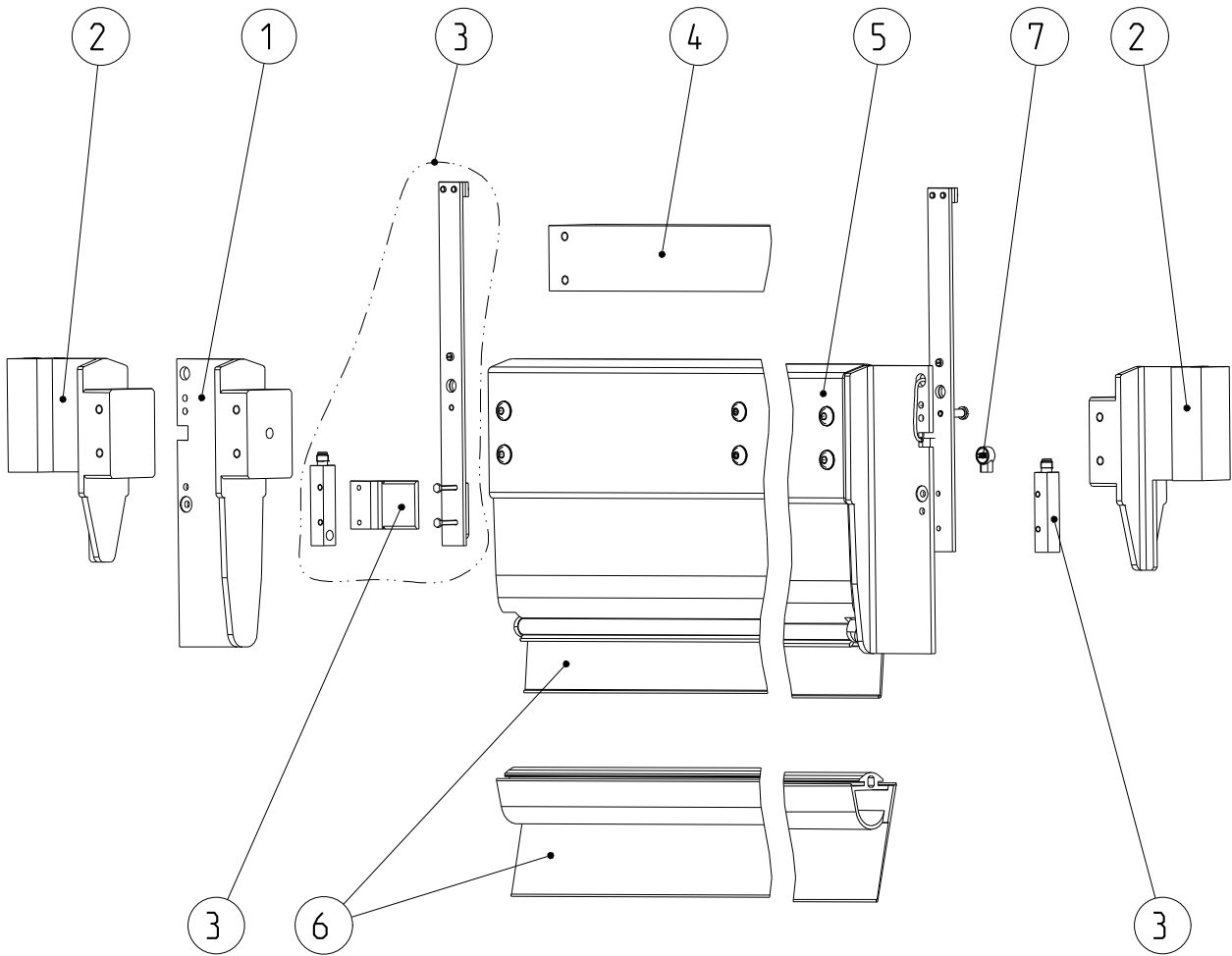
RR Clean, Version 06			gültig ab ▲ gültig bis valid from ▲ valid to	Art.-Nr. Item-No	1	Delivery time class	Preiseinheit Unit	Anzahl pro Tor Quantity per door	Verschleißteil part / Siltdetailje Wear
Pos. Item	Description	Bemerkung Note							
II	Side frame left (see drawing frame complete)								
	LH side frame complete			D8220RG313	G	C	m	1	
1	LH side frame cover	A2		D4621RG192	G	C	m	1	
	LH side frame cover	Steel		D4521RG343	G	C	m	1	
2	LH head plate			D4621R0287		A	Stck./pc.	1	
3	LH bottom plate			D4621R0491		A	Stck./pc.	1	
4	Photocell receiver without bracket - black			D4904R0548		A	Stck./pc.	1	
	Cable photocell 13,5m 3x0,25	MCC		D4907R0035		A	Stck./pc.	1	
	Cable photocell 8m	ACS50		D4907R0030		A	Stck./pc.	1	
5	Cable chain safety edge 900mm	DH≤1500		D8520R0001		A	Stck./pc.	1	
	Cable chain safety edge 1400mm	1500<DH≤2500		D8520R0007		A	Stck./pc.	1	
	Cable chain safety edge 1900mm	DH>2500		D8520R0008		A	Stck./pc.	1	
	Cable chain prerunning photocell 900mm	DH≤1500		D8520R0011		A	Stck./pc.	1	
	Cable chain prerunning photocell 1400mm	1500<DH≤2500		D8520R0009		A	Stck./pc.	1	
	Cable chain prerunning photocell 1900mm	DH>2500		D8520R0010		A	Stck./pc.	1	
6	Foil key MCC display	MCC; DH≥1730		D4905V0056		A	Stck./pc.	1	
	Display cable 0,2m	MCC; DH≥1730		D4907R0141		A	Stck./pc.	1	
	see spare part list MCC	MCC							
7	Rubber sealing	(1000 mm)		D4402RG009	G	B	Stck./pc.	1	
	Foam sealing	(10000 mm)		D4401R0035		A	Stck./pc.	1	
8	Main switch	MCC		D8410R0092		A	Stck./pc.	1	
9	Magic switch	integrated actuator		D4904R0497		A	Stck./pc.	1	
	Plate activator	integrated actuator		D4121R0478		A	Stck./pc.	1	
	Number cable 3x0,75 without PE, L=7000	integrated actuator		D4907R0149		A	Stck./pc.	1	
10	Terminal box cpl. with LED	USV		D8420R0018		B	Stck./pc.	1	

Top roll with door blade	RR Clean Room
Wickelwelle mit Torbehang	RR Clean Room



RR Clean, Version 06			gültig ab ▲ gültig bis valid from ▲ valid to	Art.-Nr. Item-No	1	Delivery time class	Preiseinheit Unit	Anzahl pro Tor Quantity per door	Verschleißteil part / Sliedetailje	Wear
Pos. Item	Description	Bemerkung Note								
III	Top roll with curtain									
1	Door blade PVC with stripes	white		D8230RG416	G	C		1		
		Base price		D8230RG416			Stck./pc.			
	Reinforcement stripes white	Upcharge		D8230RG416			m ²			
	Reinforcement stripes in special colours			D8230RG416		D	m ²			
2	Top roll alu with va shafts, with bearings			D8240RG099	G	C	m	1		
3	Top roll alu with va shafts, with bearings and door blade			D8240RG146	G	D		1		
4	Flange bearing D 30			D8140R0062		A	Stck./pc.	2	x	
5	Windbreaktap (12 pcs.)			D8130R0009		A	Stck./pc.	1	x	

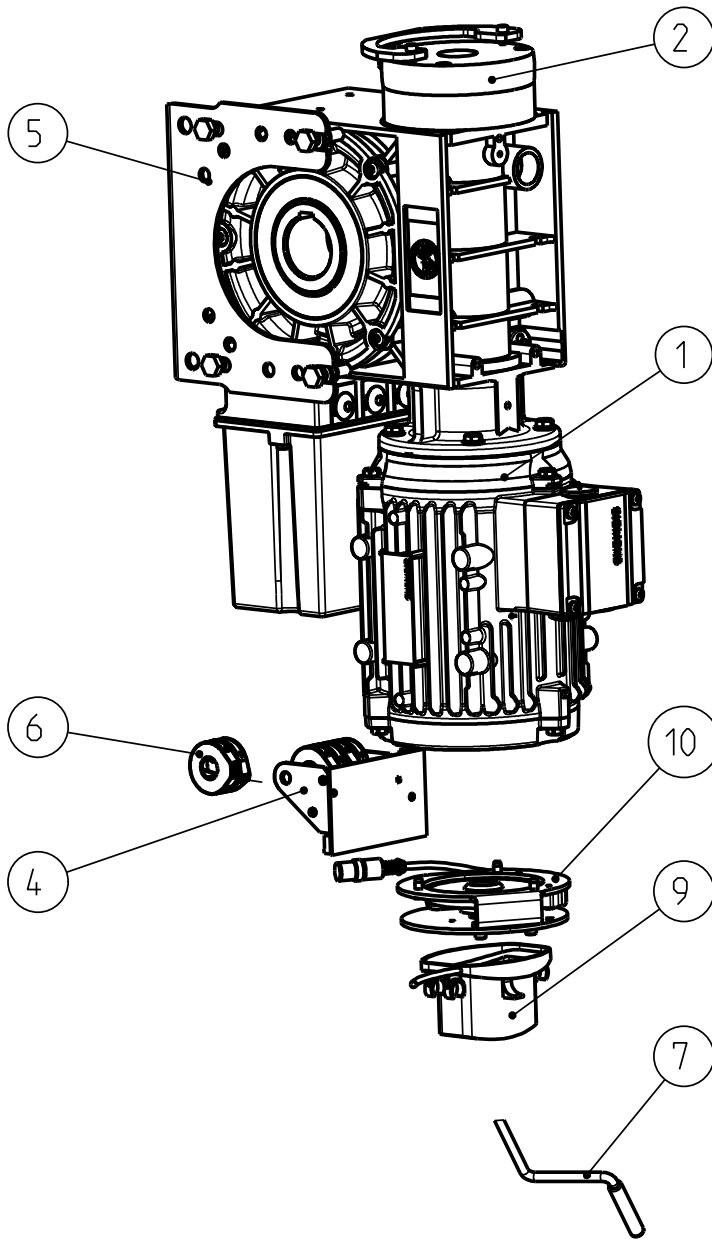
Bottom profile	RR Clean Room
Abschlussprofil	RR Clean Room



RR Clean, Version 06			gültig ab ► gültig bis valid from ► valid to	Art.-Nr. Item-No	1	Delivery time class	Preiseinheit Unit	Anzahl pro Tor Quantity per door	Verschleißteil part / Sliedetailje	Wear
Pos. Item	Description	Bemerkung Note								
IV	Bottom profile with safety edge									
	Bottom profile complete	A2		D8550RG063	G			1		
		Steel		D8550RG063		C	m			
1	Sliding part safety edge	safety edge		D4121R0461		A	Stck./pc.	2	x	
2	RH sliding part prerunning photocell	prerunning photocell		D4121R0462		A	Stck./pc.	1	x	
	LH sliding part prerunning photocell	prerunning photocell		D4121R0469		A	Stck./pc.	1	x	
3	Prerunning photocell ri./le. Without sliding part	prerunning photocell		D8450R0007		A	Stck./pc.	1		
	Guiding photocell			D4121R0468		A	Stck./pc.	2		
	Safety photocell transmitter - yellow	LH (**)	►2011-08 just in pair	D4904R0544		A	Stck./pc.	1		
	Safety photocell receiver - yellow	RH (**)	2011-09 ► also single	D4904R0545		A	Stck./pc.	1		
4	Weight			D4521R1901		A	Stck./pc.	2		
5	Half profile for bottom profile va	A2		D4621RG188	G	C	m	2		
	Half profile for bottom profile galv. steel	Steel		D4521RG337	G	C	m	2		
6	Rubber profile with integrated safety edge	safety edge		D4421RG036	G	B	m	1		
	Rubber profile	prerunning photocell		D4421RG013	G	B	m	1		
7	Cable connection UR2	safety edge		D4910V0013		A	Stck./pc.	2		

(**) Doors ordered before end of 2011/08 needs a pair of Transmitter/Receiver (Pos.3)

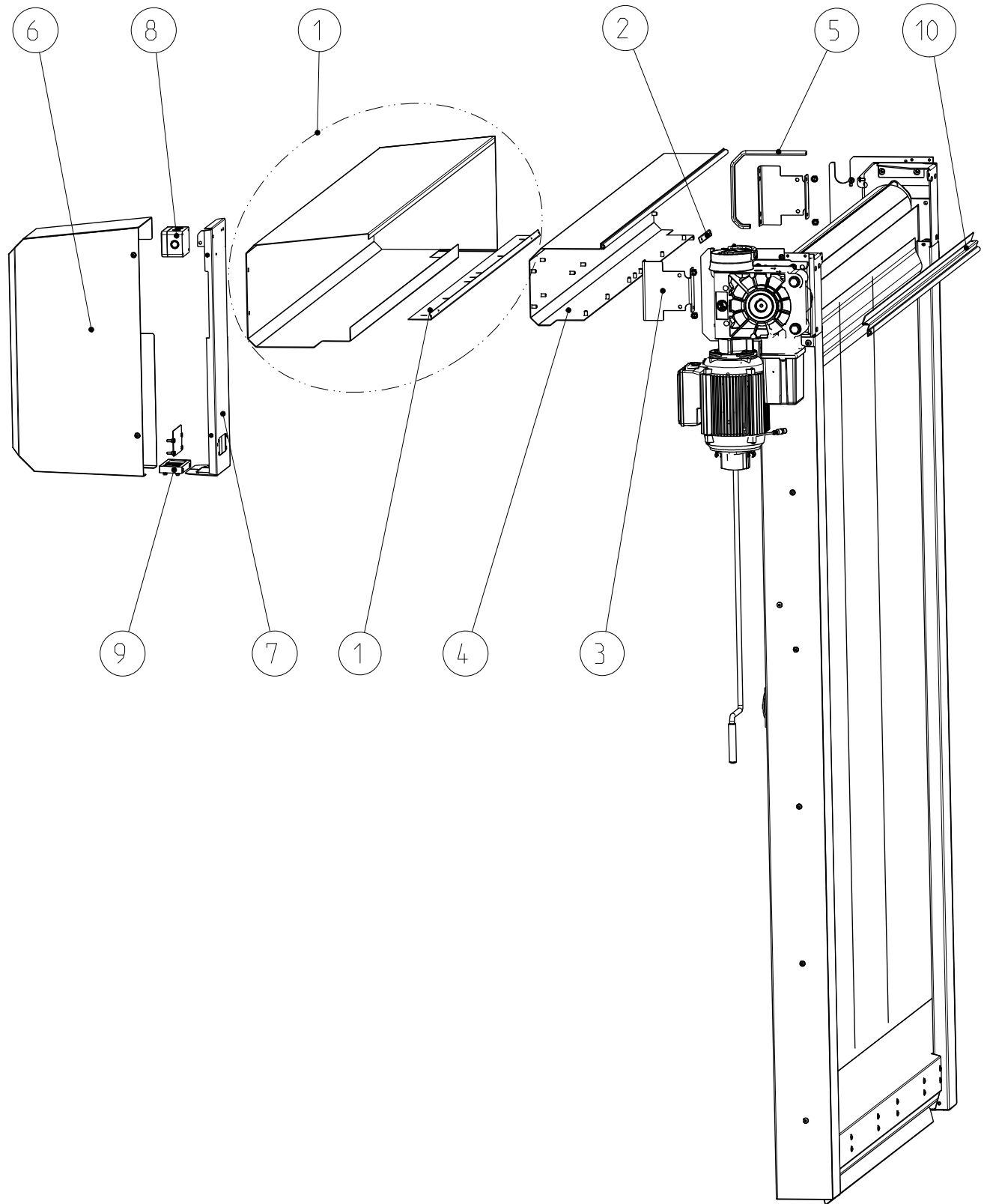
Drive Unit	RR Clean Room
Antrieb	RR Clean Room



Pos. 3 and 8 not shown

RR Clean, Version 06			gültig ab ▲ gültig bis valid from ▲ valid to	Art.-Nr. Item-No	1	Delivery time class	Preiseinheit Unit	Anzahl pro Tor Quantity per door	Verschleißteil part / Siltedetailje	Wear
Pos. Item	Description	Bemerkung Note								
VI	Drive unit									
	Gear motor cpl.	No E-Connection		D8410RG076	G	B	Stck./pc.	1		
	Gear motor cpl., UL-version	No E-Connection UL-version		D8410RG076	G	B	Stck./pc.	1		
1	Gear motor	ACS50, without control		D8910R0091		A	Stck./pc.	1		
	Gear motor with MCC encoder	MCC		D8910R0076		B	Stck./pc.	1		
	Gear motor without MCC encoder, UL-version	UL-version		D6601R0151		A	Stck./pc.	1		
2	Break			D6622R0026		A	Stck./pc.	1		
3	Terminal box			D4906R0095		A	Stck./pc.	1		
4	Limit switch section, 6 switches			D4905018		A	Stck./pc.	1		
5	Torque arm	A2		D8110R0087		A	Stck./pc.	1		
	Torque arm	Steel		D8110R0086		A	Stck./pc.	1		
6	Cam			D4801240		D	Stck./pc.	1		
7	Crank			D4521R1081		A	Stck./pc.	1		
8	E-Connection ACS 50	ACS 50, without control		D8903RG144	G	B		1		
		Base Price					Stck./pc.			
	Upcharge						m			
	E-Connection MCC	MCC		D8903RG145	G			1		
Base Price							Stck./pc.			
Upcharge						m				
9	Electrical saving for crank			D8410R0083		A	Stck./pc.	1		
10	MCC Encoder with bracket	MCC		D8410R0080		A	Stck./pc.	1		

RR Clean	Clean
RR Clean	Clean



RR Clean, Version 06			gültig ab ► gültig bis valid from ► valid to	Art.-Nr. Item-No	1	Delivery time class	Preiseinheit Unit	Anzahl pro Tor Quantity per door	Verschleißteil part / Silt detalje Wear
Pos. Item	Description	Bemerkung Note							
VIII	Options								
1	Top roll cover with cap, drive side RH	A2		D8260RG041	G	D	m	1	
	Top roll cover with cap, drive side LH	A2		D8260RG042	G	D	m	1	
	Top roll cover with cap, drive side RH	Steel		D8260RG043	G	C	m	1	
	Top roll cover with cap, drive side LH	Steel		D8260RG044	G	C	m	1	
	Sealing sheet for lintel			D4621RG190	G	C	m	1	
	Cap for top roll cover, drive side RH	Steel		D4521R1920		A	Stck./pc.	1	
	Cap for top roll cover, drive side LH	Steel		D4521R1921		A	Stck./pc.	1	
2	Sealing			D4121R0475		A	Stck./pc.	2	
3	Bracket for cover			D4521R1900		A	Stck./pc.	2	
4	Sealing plate for drive side RH	MCC		D4521RG318	G	C	m	1	
	Sealing plate for drive side LH	MCC		D4521RG319	G	C	m	1	
	Sealing plate ACS50	ACS50		D4521RG338	G	C	m	1	
5	Rubber sealing	(4000 mm)		D4402RG009	G	B	Stck./pc.	1	
	Foam sealing	(10000 mm)		D4401R0035		A	Stck./pc.	1	
6	Motor cover 6°, RH			D4621R0552		A	Stck./pc.	1	
	Motor cover 6°, LH			D4621R0553		A	Stck./pc.	1	
7	Wall plate motor cover RH			D4621R0554		A	Stck./pc.	1	
	Wall plate motor cover LH			D4621R0555		A	Stck./pc.	1	
8	Terminal box with mounting rail	MCC		D4906R0095		A	Stck./pc.	1	
9	Cable entry frame with sleeve			D8160R0132		A	Stck./pc.	1	
10	Lintel profile with sealing		► 2011-10	D8220RG317	G	C	m	1	
	Lintel profile complete		2011-11 ►	D8220RG332	G	C	m	1	
11	Integrated traffic light/flash light			D8880R0005		A	Stck./pc.	1	

Legend	
	1
G	Generic Item
Delivery time	
A	Within 24 hours
B	2-3 Workdays
C	5-8 Workdays
D	10-14 Workdays
Wear parts	
	x = Standard wear with time/use

